

PULL BAR / LINEAR

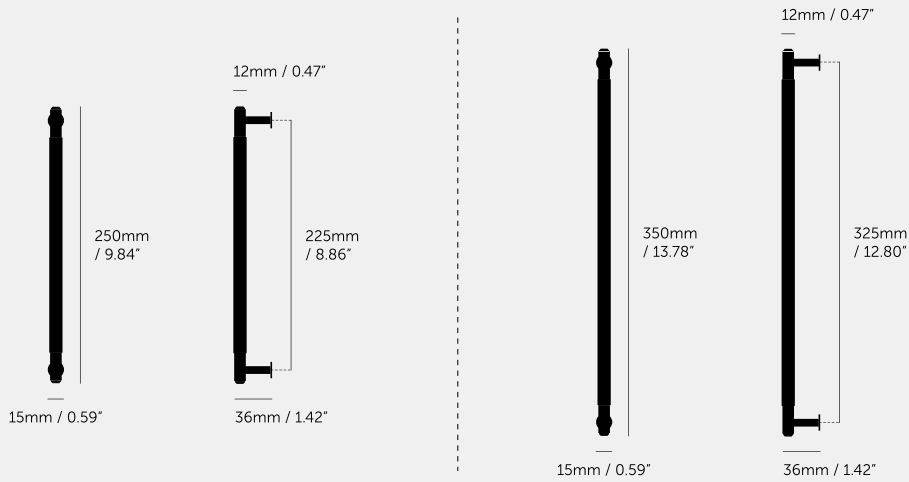
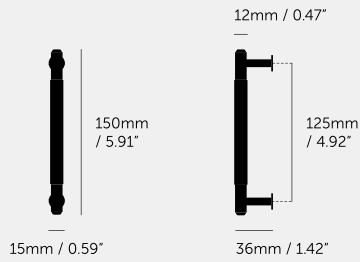
ACTION: PULL BAR

KNURL: LINEAR

RANGE: PULL BAR

A pull bar made from solid metal in small (150mm / 5.9"), medium (250mm / 9.8") and large (350mm / 13.7") sizes. These pull bars feature our signature, diamond cut, linear knurl pattern. Comes complete with small solid metal discs. They work great on cabinet doors, wardrobe drawers, cupboards and kitchen units.





SPECIFICATIONS

Fits doors with a maximum thickness of 20mm or 25/32". For thicker doors you will need to source longer M5 screws.

Pull Bar Lengths:

Small - 150mm / 5.9"

Medium - 250mm / 9.8"

Large - 350mm / 13.7"

INCLUDED

1 x pull bar with 2 small discs

2x M5 x 30mm screws

2x M5 washers

PLEASE NOTE

DISCLAIMER: Always consult a trade professional when installing these pull bars. Buster + Punch is not responsible for the usage or feasibility of installation requirements. This product is not suitable for damp or wet environments.

FINISH & SKU NUMBERS

sku:	finish:	size:
UPB-024570	● black	SMALL
UPB-054566	● brass	SMALL
UPB-074560	● steel	SMALL
UPB-023969	● black	MEDIUM
UPB-054574	● brass	MEDIUM
UPB-073967	● steel	MEDIUM
UPB-023971	● black	LARGE
UPB-053966	● brass	LARGE
UPB-074019	● steel	LARGE

CARE INSTRUCTIONS

Wipe with damp cloth with no loose hairs, avoid using any chemicals. All finishes are prone to aging.