

## PULL BAR / LINEAR

---

**ACTION: PULL BAR**

---

**KNURL: LINEAR**

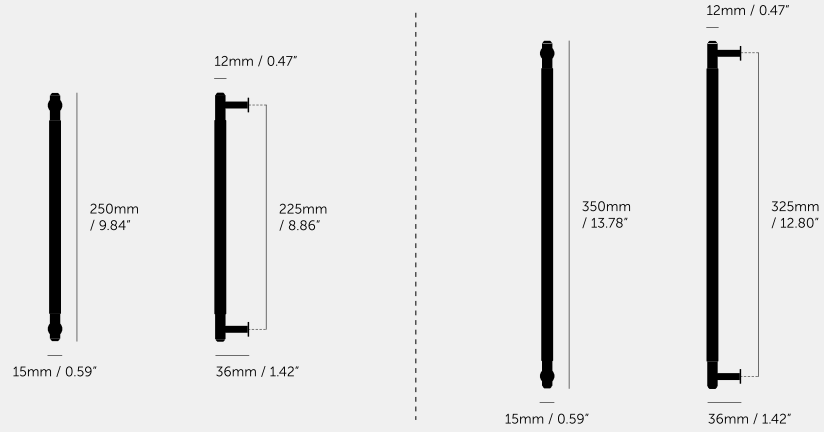
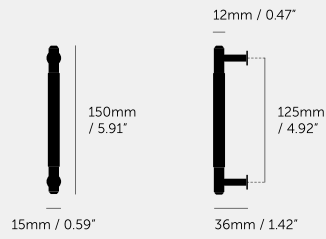
---

**RANGE: PULL BAR**

---

A pull bar made from solid metal in small (150mm / 5.9"), medium (250mm / 9.8") and large (350mm / 13.7") sizes. These pull bars feature our signature, diamond cut, linear knurl pattern. Comes complete with small solid metal discs. They work great on cabinet doors, wardrobe drawers, cupboards and kitchen units.





#### SPECIFICATIONS

Fits doors with a maximum thickness of 20mm or 25/32". For thicker doors you will need to source longer M5 screws.

Pull Bar Lengths:

Small - 150mm / 5.9"

Medium - 250mm / 9.8"

Large - 350mm / 13.7"

#### INCLUDED

- 1 x pull bar with 2 small discs
- 2x M5 x 30mm screws
- 2x M5 washers

#### PLEASE NOTE

DISCLAIMER: Always consult a trade professional when installing these pull bars. Buster + Punch is not responsible for the usage or feasibility of installation requirements. This product is not suitable for damp or wet environments.

#### FINISH & SKU NUMBERS

sku	finish	size
UPB-024570	● black	SMALL
UPB-054566	● brass	SMALL
UPB-074560	● steel	SMALL
UPB-023969	● black	MEDIUM
UPB-054574	● brass	MEDIUM
UPB-073967	● steel	MEDIUM
UPB-023971	● black	LARGE
UPB-053966	● brass	LARGE
UPB-074019	● steel	LARGE

#### CARE INSTRUCTIONS

Wipe with damp cloth with no loose hairs, avoid using any chemicals. All finishes are prone to aging.