

PULL BAR / DOUBLE-SIDED / CROSS

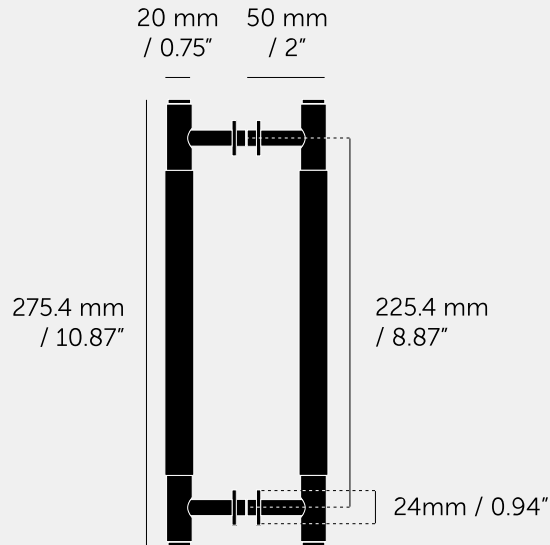
ACTION: PULL BAR

KNURL: CROSS

RANGE: DOUBLE-SIDED PULL BARS

A double-sided pull bar made from solid metal and featuring our signature, diamond-cut, cross knurl pattern. Works great on cabinet doors, cupboards, kitchen units, and just about anything that can open.





SPECIFICATIONS

Fits doors of a minimum thickness of 10mm or 0.39" to a maximum of 60mm or 2.36".

Not suitable for fire doors.

INCLUDED

1 x double-sided pull bar
 1 x double-sided bolt
 2 x plastic bosses
 4 x glass silicone washers
 2 x 24cm cosmetic discs

PLEASE NOTE

DISCLAIMER: Always consult a trade professional when installing. Buster + Punch is not responsible for the usage or feasibility of installation requirements. This product is not suitable for damp or wet environments. Our pull bars are intended for internal use only. Not for commercial use.

FINISH & SKU NUMBERS

sku:	finish:	size:
UPB-024579	● black	MEDIUM
UPB-053974	● brass	MEDIUM
UPB-454002	● smoked bronze	MEDIUM
UPB-073972	● steel	MEDIUM

CARE INSTRUCTIONS

Wipe with damp cloth with no loose hairs, avoid using any chemicals. Please note all finishes are prone to aging.