

PULL BAR / CROSS

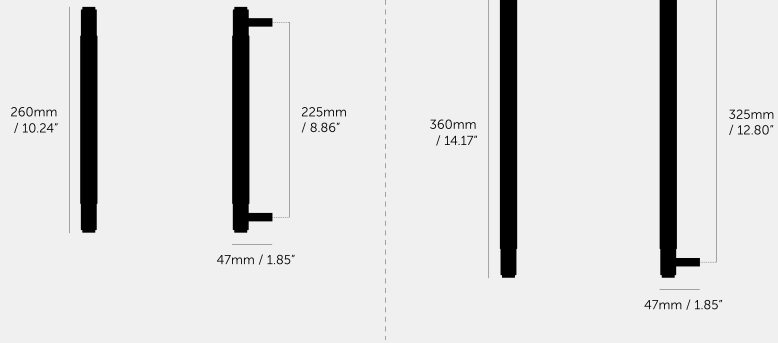
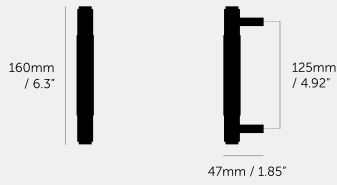
ACTION: PULL BAR

KNURL: CROSS

RANGE: PULL BAR

A pull bar made from solid metal in small (160mm / 6.3"), medium (260mm / 10.2") and large (360mm / 14.2") sizes. These pull bars feature our signature, diamond-cut, cross-knurl pattern and is refined by hand. They work great on cabinet doors, wardrobe drawers, cupboards and kitchen units





SPECIFICATIONS

Fits doors of a maximum thickness of 20mm or 25/32". For thicker doors you will need to source longer M5 screws .

Length of Pull Bars:

Small - 160mm / 6.3"
 Medium - 260mm / 10.2"
 Large - 360mm / 14.2"

INCLUDED

1 x pull bar
 2 x M5 x 30mm screws
 2 x M5 washers

PLEASE NOTE

DISCLAIMER: Always consult a trade professional when installing these pull bars. Buster + Punch is not responsible for the usage or feasibility of installation requirements. This product is not suitable for damp or wet environments.

FINISH & SKU NUMBERS

sku	finish	size
UPB-023963	● black	SMALL
UPB-054572	● brass	SMALL
UPB-454017	● smoked bronze	SMALL
UPB-074564	● steel	SMALL
UPB-024569	● black	MEDIUM
UPB-054575	● brass	MEDIUM
UPB-094568	● smoked bronze	MEDIUM
UPB-073964	● steel	MEDIUM
UPB-134474	● warm sunset	MEDIUM
UPB-023961	● black	LARGE
UPB-054576	● brass	LARGE
UPB-454593	● smoked bronze	LARGE

CARE INSTRUCTIONS

Wipe with damp cloth with no loose hairs, avoid using any chemicals. Please note all finishes are prone to aging.