

TOGGLE MODULE / RETRACTIVE

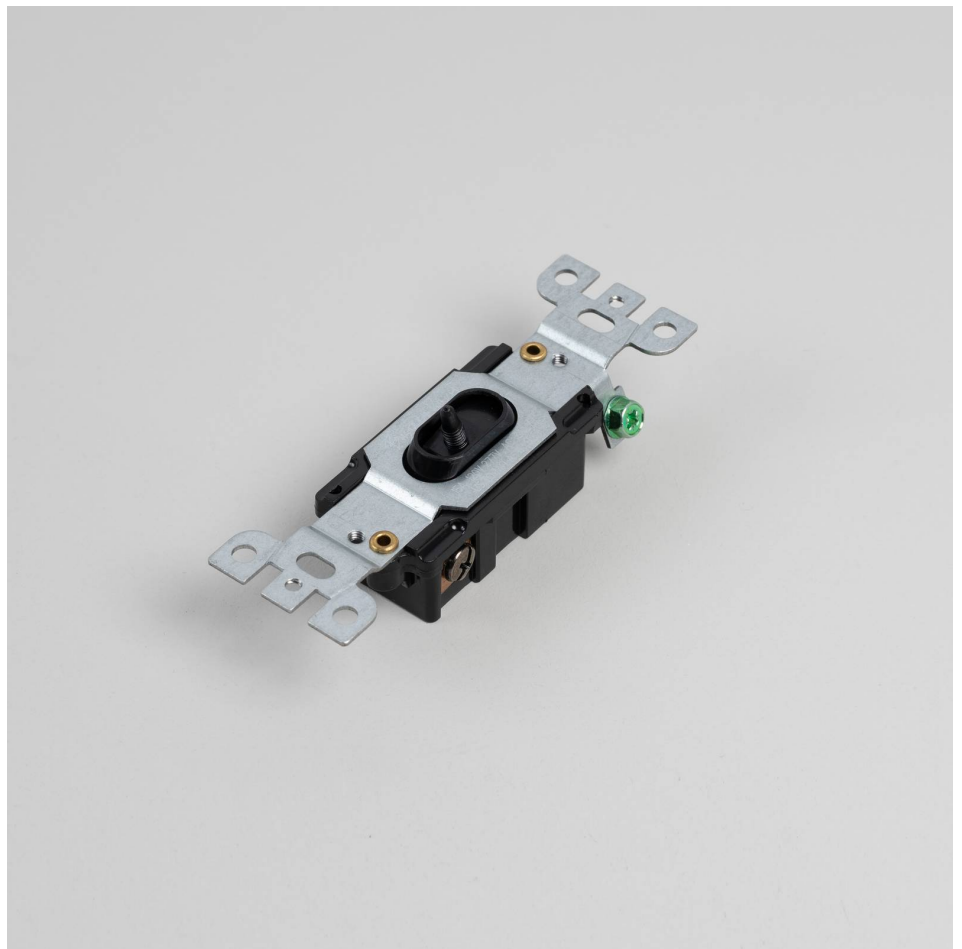
ACTION: TOGGLE MODULE

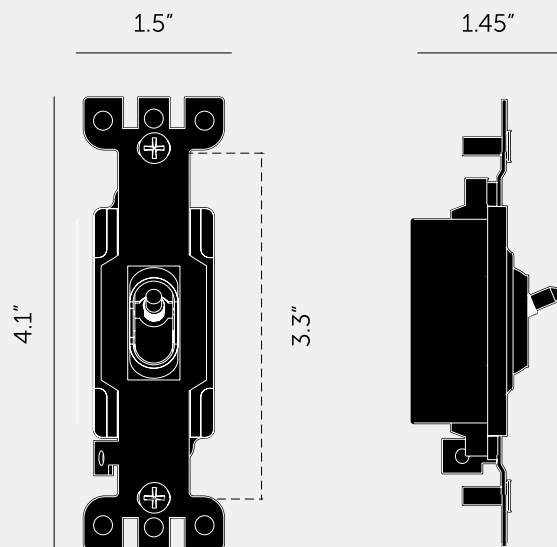
KNURL: N/A

RANGE: ELECTRICITY MODULES

A retractive / momentary / push-to-make toggle switch with a sprung return for use with smart-enabled home systems. Combine with a modular Buster + Punch wall plate and finish with one of our detail kits in the knurled and finish of your choice to create a future-proof switch – customised by you and engineered to perfection by us.

Pair with a B+P Multipoint Dimmer to dim lights from up to 10 locations - short press to switch lights ON/OFF. Press and hold to dim up and down. 120 - 277VAC / 60Hz. Multiple location control and dimming. Not compatible with regular 3 or 4-way switching, or standard circuit installations. Compatible with a range of 3rd party smart systems and in-line modules, see tech spec for more information. If in doubt, always consult a licensed electrician.





SPECIFICATIONS

Style: Momentary On / Off Toggle Switch
Input: 120 - 277VAC / 60Hz
Load: 15A
Switching: Retractive / Momentary / Contact Closure
Certification: cETLus 5005703

For use with Buster + Punch multipoint dimmers and retractive dimming circuits, to control dimming level from up to 10 locations. Short press to switch lights ON/OFF. Press and hold to dim up and down.
For use with Buster + Punch US electricity plates.
Compatible with smart home systems and in-line modules that accept momentary/contact closure switch inputs.
Not compatible with standard wiring and standard 3-way and 4-way wiring accessories.
Not suitable for motors, fans or any other type of large inductive load.
Make sure to consider the inrush current load on the circuit when specifying this module (15A max.).

Testing Includes:
Overload - 125 cycles @ 150% max load
Endurance -10,000 cycles @ 100% max load

FINISH & SKU NUMBERS

sku:	finish:	size:
NTM-023526	● black	

INCLUDED

1 x Toggle Module

PLEASE NOTE

DISCLAIMER: Always consult a trade professional when installing this product. Buster + Punch is not responsible for the usage or feasibility of installation requirements. This product is not suitable for damp or wet environments.

CARE INSTRUCTIONS

Wipe with a dry lint free cloth with no loose hairs, avoid using any chemicals. Please note that finishes may age naturally with time and regular use.