

DIMMER MODULE / LED 3-WAY

ACTION: DIMMER MODULE

RANGE: DIMMER MODULE

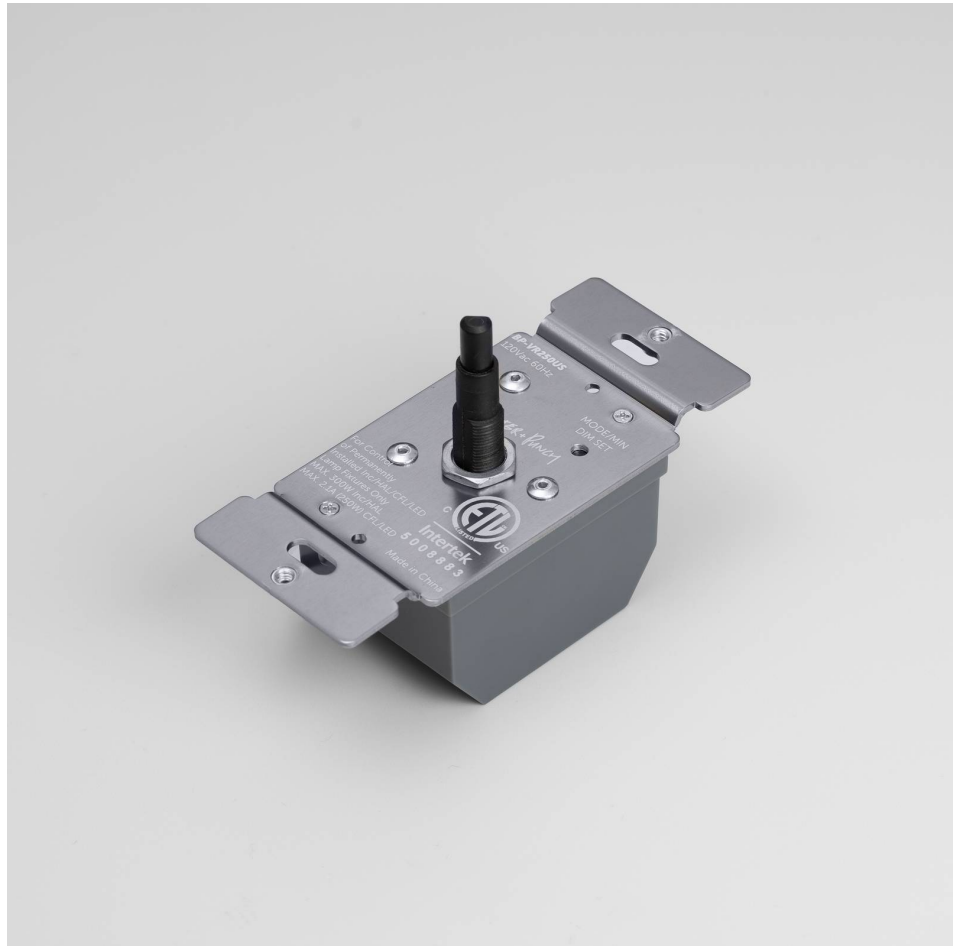
A dimmer module that works exclusively with our US range of wall plates and detail kits, with a push ON/OFF and rotary dimmer action. It can be used on a lighting circuit that powers dimmable LED, incandescent or halogen bulbs. It works perfectly with all Buster + Punch dimmable light bulbs.

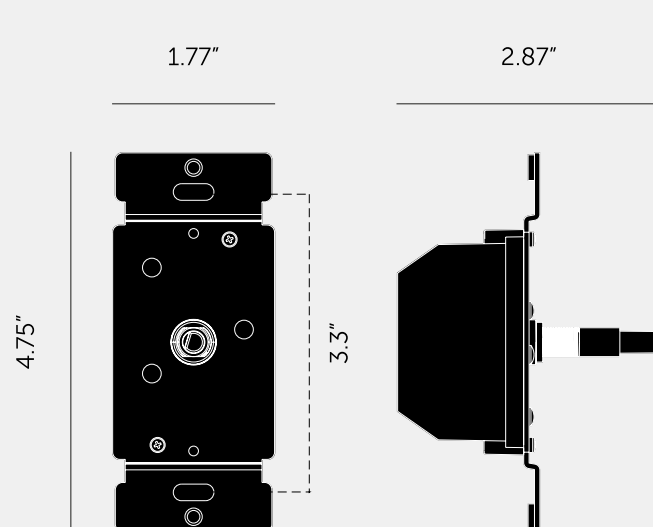
Team this dimmer with Buster + Punch toggle module to turn the lighting circuit on/off from a second location.

Not compatible with retractive toggle modules.

Dimmer modules from other suppliers are not compatible with our detail kits.

note: rotary action is smooth and silent during operation.





SPECIFICATIONS

Style: Push ON/OFF Rotary Dimmer
 Input: 100-120VAC 60 Hz
 Dimming Type: Trailing and leading edge (auto-detect & user override)
 Load: LED 5-250W / HAL/INC 10-300W
 Operating Temperature: 32° - 95°F / 0° - 35°C
 Humidity: 10 - 90% R.H.
 Certifications: cETLus 5008883
 Compatible with 3-Way & 4-Way Switches. Not Compatible with Retractive Switches. Not Compatible with non-dimmable lamps & fixtures, compact florescent lamps (CFLs), electric motors or fans.
 Not compatible with Magnetic Low Voltage (MLV) lighting systems and drivers.
 Testing includes:
 Overload - 100 cycles @ 150% max load
 Endurance - 10,000 cycles @ 100% max load
 Dielectric Voltage Withstand - 1500V

note: rotary action is smooth and silent during operation.
 The dimmer switch incorporates a soft-start feature, which may result in a 1-2 second delay before full illumination to reduce inrush current and extend lamp life.

FINISH & SKU NUMBERS

sku:	finish:	size:
NDM-024061	● black	N/A

INCLUDED

1 X Dimmer Module
 2 X Fixing Screws
 1 X Installation Manual

PLEASE NOTE

DISCLAIMER: Always consult a trade professional when installing this product. Buster + Punch is not responsible for the usage or feasibility of installation requirements. This product is not suitable for damp or wet environments.

CARE INSTRUCTIONS

Wipe with a dry lint free cloth with no loose hairs, avoid using any chemicals. Please note that finishes may age naturally with time and regular use.