

DIMMER MODULE / INCANDESCENT

ACTION: DIMMER MODULE

RANGE: DIMMER MODULE

Push ON/OFF Rotary Dimmer with 3 way switching

100 - 120VAC 60 Hz

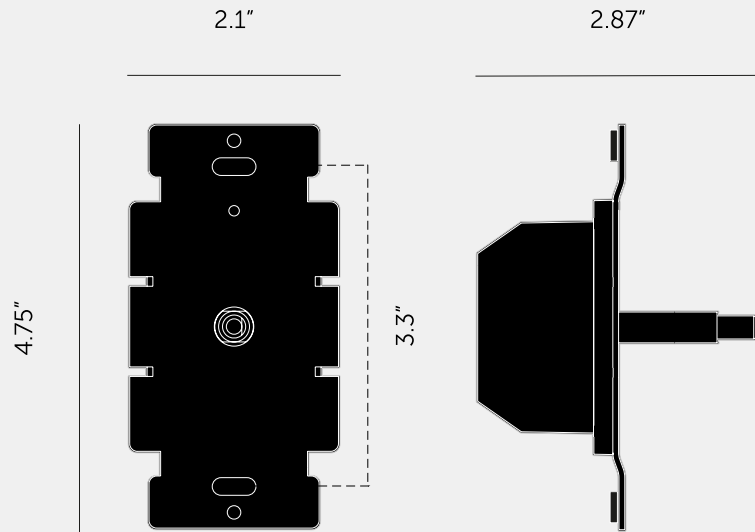
Forward Phase

600W max. HAL / INC. 5-150W LED

Switching: single circuit or 3-way circuits

This dimmer module is compatible with our detail kits. Dimmer modules from other suppliers are not compatible with our detail kits.





SPECIFICATIONS

Push ON/OFF dimmer module
3-way
100-120 VAC
60Hz Dims: LED / Halogen / Incandescent
Combine with DETAIL KIT / DIMMER
This dimmer module is only compatible with our details kits.
Dimmer modules from other suppliers are not compatible with this collection

FINISH & SKU NUMBERS

sku:	finish:	size:
NDM-01385	● black	

CARE INSTRUCTIONS

Wipe with a dry lint free cloth with no loose hairs, avoid using any chemicals. Please note that finishes may age naturally with time and regular use.

INCLUDED

1 X Dimmer Module

PLEASE NOTE

DISCLAIMER: Always consult a trade professional when installing this product. Buster + Punch is not responsible for the usage or feasibility of installation requirements. This product is not suitable for damp or wet environments.