

DIMMER MODULE / MULTIPOINT LED

ACTION: DIMMER MODULE

RANGE: DIMMER MODULE

A push ON/OFF rotary dimmer module with multi-location control/dimming capabilities.

Team this dimmer with Buster + Punch retractive toggle modules to dim the lighting circuit from other locations. It can be used on a lighting circuit that powers dimmable LED, incandescent or halogen bulbs. It works perfectly with all Buster + Punch dimmable light bulbs.

Must be when wired in a parallel circuit system for multipoint dimming - please consult with lighting and control expert. Not for standard circuit installations.

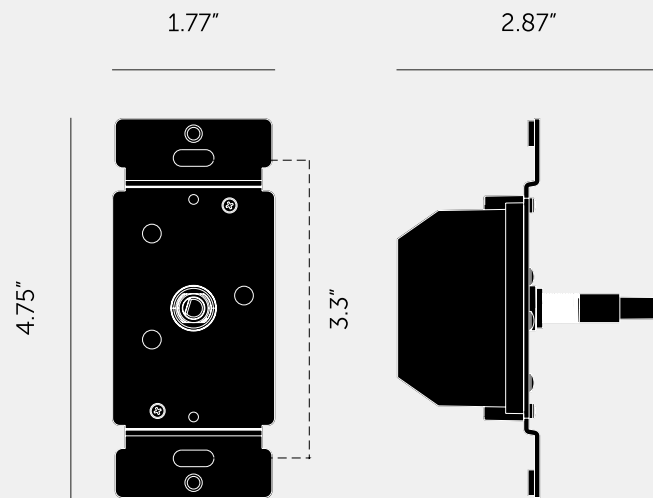
Not compatible with 3-way and 4-way/intermediate wiring systems.

Dimmer modules from other suppliers are not compatible with our detail kits.

note: rotary action includes a soft, audible ticking feedback during adjustment.

The dimmer switch incorporates a soft-start feature, which may result in a 1-2 second delay before full illumination to reduce inrush current and extend lamp life.





SPECIFICATIONS

Style: Push ON/OFF Rotary Dimmer with multi-location dimming via retractable switches.
Input: 100-120VAC 60 Hz
Dimming Type: Trailing and leading edge (auto-detect & user override)
Load: LED 5-250W / HAL/INC 10-300W
Operating Temperature: 32° - 95°F / 0° - 35°C
Humidity: 10 - 90% R.H.
Certifications: cULus E533655
Compatible with Retractable Switches Only. Not Compatible with 3-Way & 4-Way/Intermediate Switches. Not Compatible with non-dimmable lamps & fixtures, compact florescent lamps (CFLs), electric motors or fans. Not compatible with Magnetic Low Voltage (MLV) lighting systems and drivers.
Testing includes:
Overload - 100 cycles @ 150% max load
Endurance - 10,000 cycles @ 100% max load
Dielectric Voltage Withstand - 1500V

note: rotary action includes a soft, audible ticking feedback during adjustment.

FINISH & SKU NUMBERS

sku:	finish:	size:
NDM-013407	● black	

INCLUDED

1 X Dimmer Module

PLEASE NOTE

DISCLAIMER: Always consult a trade professional when installing this product. Buster + Punch is not responsible for the usage or feasibility of installation requirements. This product is not suitable for damp or wet environments.

CARE INSTRUCTIONS

Wipe with a dry lint free cloth with no loose hairs, avoid using any chemicals. Please note that finishes may age naturally with time and regular use.