

**MIRROR / CAST**

---

**ACTION: MIRROR**

---

**KNURL: CAST**

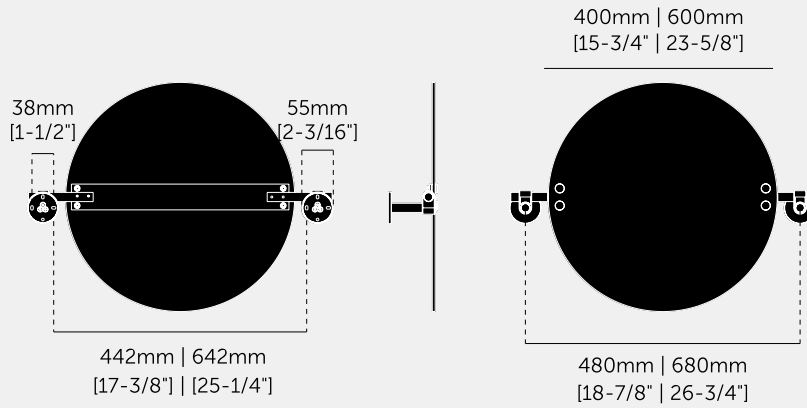
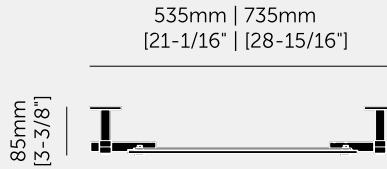
---

**RANGE: BATHROOM**

---

A circular mirror featuring our signature rough-cast knuckle and hand polished metal bar. The mirror can be tilted by hand to adjust to your height. Thanks to the casting process, each knuckle is one-of-a-kind. Suitable for all interior spaces, including bathrooms. Comes in two sizes; small and large.





### SPECIFICATIONS

A round mirror with tilting action. Made from a solid metal bar and cast knuckles, and finished with spun metal screws, refined by hand. The mirror tilts on its axis to adjust to the viewers height. Made with durable finishes that make it suitable for bathroom use.

Small - 400mm / 15-3/4 inches  
 Large - 600mm / 23-5/8 inches

### INCLUDED

- 1 x mirror
- 1 x Left hand side mirror knuckle
- 1 x Right hand side mirror knuckle
- 4 x M4x10 countersunk cross recess screws
- 4 x M5 washers
- 4 x M5 nut
- 4 x OD=16, M5x9 mirror bolts
- 1 x 53mm inner rose cover and washer
- 4 x M4x20mm countersunk woodscrews
- 4 x 30mmx4mm wall plugs

### FINISH & SKU NUMBERS

sku:	finish:	size:
UMRG-074339	● steel	400MM / 15.7 INCHES
UMRG-484340	● welders black	400MM / 15.7 INCHES
UMRG-074345	● steel	600MM / 23.6 INCHES
UMRG-484346	● welders black	600MM / 23.6 INCHES

### PLEASE NOTE

DISCLAIMER: Always consult a trade professional when installing this product. Buster + Punch is not responsible for the usage or feasibility of installation requirements.

### CARE INSTRUCTIONS

Clean regularly with a soft, dry cloth or duster. Wash periodically using a soft cloth and mild soapy water then dry immediately with a clean, soft cloth. Rubbing or wiping should be carried out in the direction of the polish lines, not across them. DO NOT use oily rags or greasy cloths when wiping the product surface. All finishes prone to ageing.