

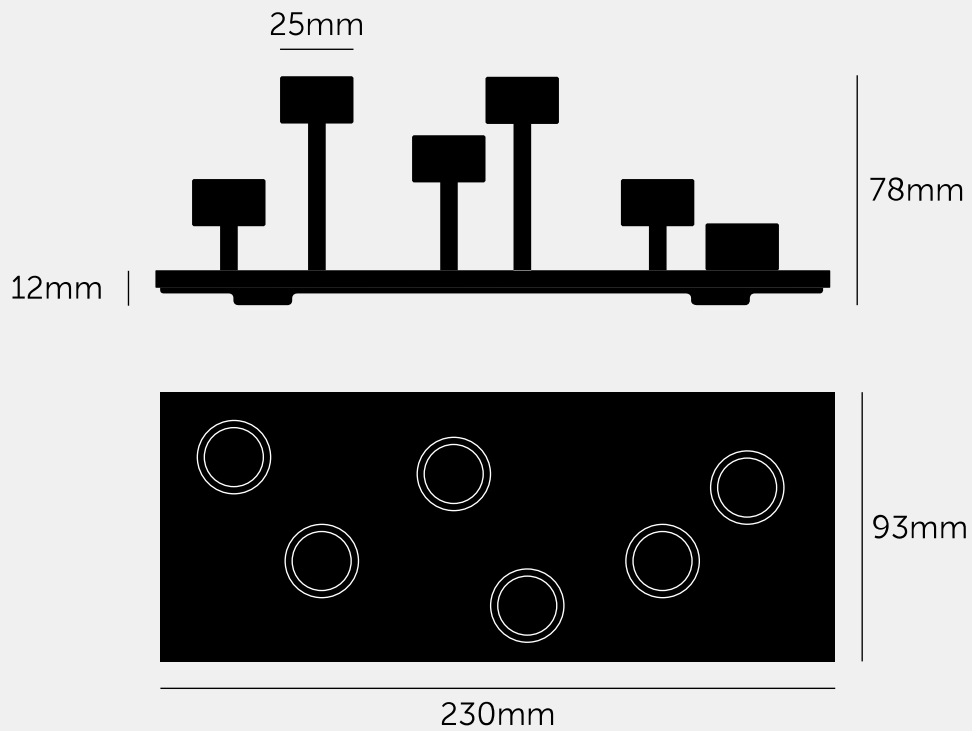
**MACHINED /
CANDELABRA**

ACTION: CANDELABRA

RANGE: MACHINED

A machined plate made out of solid brushed metal and comes complete with 6 tall candle holders.





SPECIFICATIONS

MACHINED is a range of solid metal plates that have been skilfully machined from 6mm steel, brass or black metal to accommodate interior accessories, including - CANDELABRA, flower VASE, WHISKY glasses and a simple TRAY. They can be displayed individually or placed side by side to make a stunning table display. MACHINED makes a great gift and comes in stunning gift packaging.

INCLUDED

1 x Machined Solid Metal Tray
6 x Tall Candle holders

FINISH & SKU NUMBERS

sku:	finish:	size:
UK-MA-CAN-BR-A	● brass	
UK-MA-CAN-ST-A	● steel	

PLEASE NOTE

DISCLAIMER: Always consult a trade professional when installing these Machined Candelabra. Buster + Punch is not responsible for the usage or feasibility of installation requirements. This product is not suitable for damp or wet environments.

CARE INSTRUCTIONS

To remove wax: Pour hot water until the wax comes off. To remove dust: Wipe with soft dry cloth in the same direction as the brush pattern to avoid scratching the metal.