

L-BAR / LINEAR

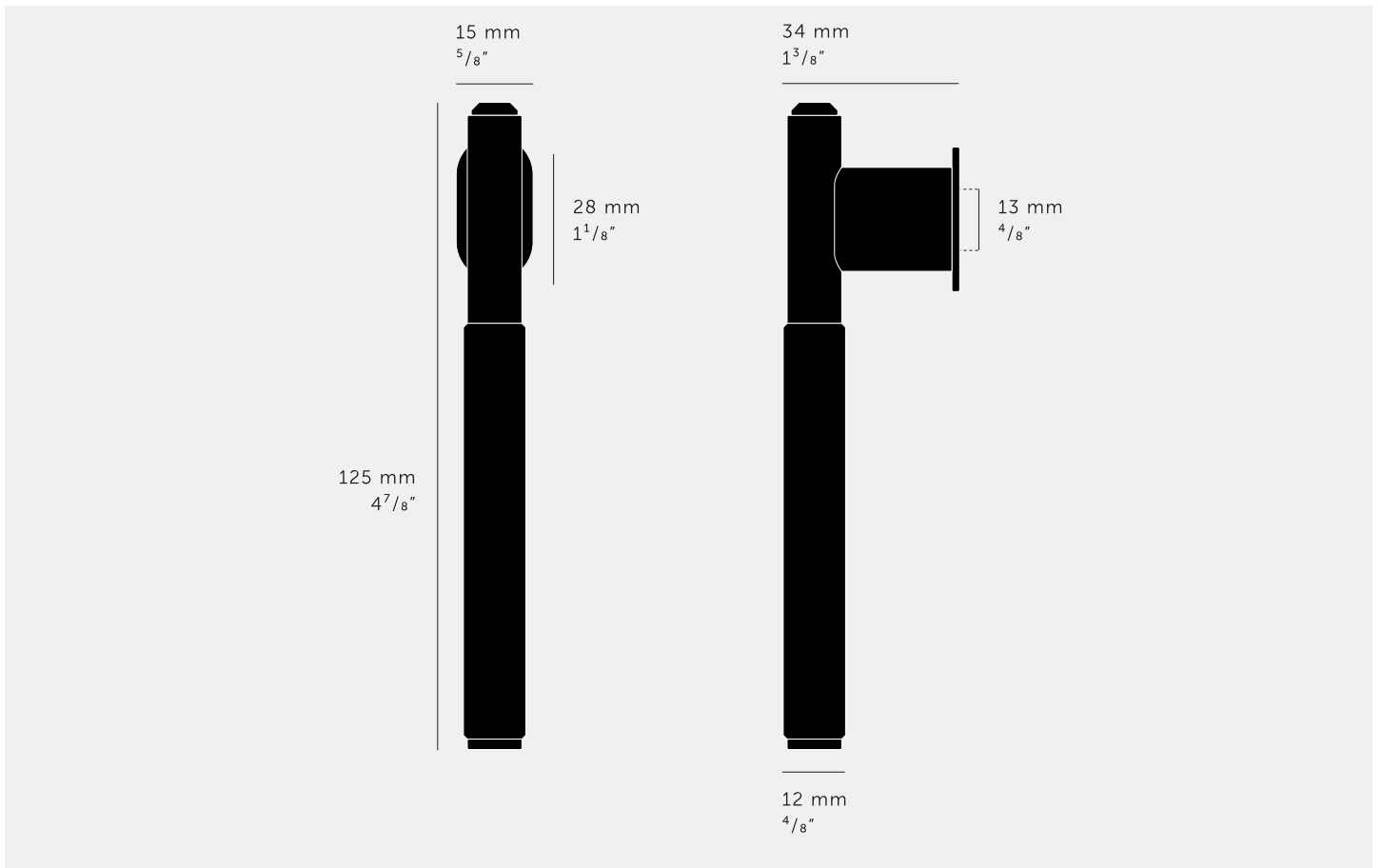
ACTION: L-BAR

KNURL: LINEAR

RANGE: L-BAR

An L-bar made from solid metal and featuring our signature, diamond-cut, linear knurl pattern. Finished with a precision milled base, backplate and torx screw detailing. Works great on cabinet doors, cupboards, kitchen units and just about anything that can open.





SPECIFICATIONS

Rear Fixing* Fits doors & draws of:Max 18mm or 45/64***For thicker doors you will need to source longer M6 screws.

INCLUDED

1x Solid Metal L-bar
2x M6 x 25mm woodscrews
1x Oval washer
1x Back plate

PLEASE NOTE

DISCLAIMER: Always consult a trade professional when installing this hook. Buster + Punch is not responsible for the usage or feasibility of installation requirements.

FINISH & SKU NUMBERS

finish:

size:

CARE INSTRUCTIONS

Wipe with damp cloth with no loose hairs, avoid using any chemicals. Please note all finishes are prone to aging.