

**HOOKED 6.0 / MIX /  
CROSS / STONE**

---

**ACTION: MULTI-PENDANT LIGHT**

---

**KNURL: CROSS**

---

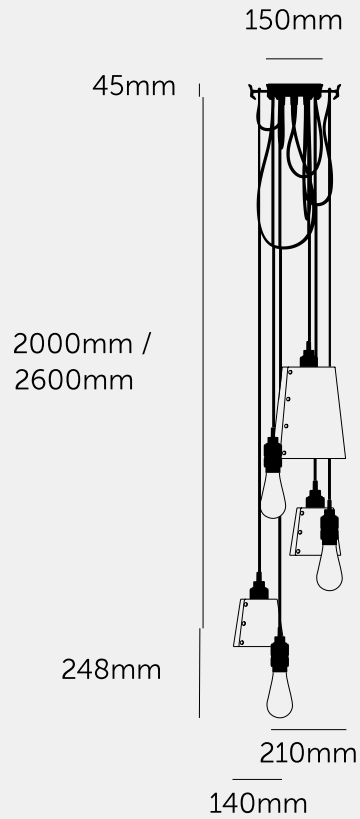
**RANGE: HOOKED**

---

A ceiling light with six pendants and made from solid metal with matte rubber detailing. Each pendant length can be adjusted and hooked onto a solid metal hook, ensuring a unique sculptural shape.

Buster + Punch offers a range of light bulbs that look great with this light and are sold separately.





#### SPECIFICATIONS

Ceiling pendant light  
 6 solid metal lamp holders  
 6 solid metal hooks  
 Adjustable 2000mm or 2600mm cable (see finish & SKU numbers below)  
 E27  
 200-240V  
 IP20  
 Max 6 x 40W bulbs  
 Bulbs sold separately  
 CE Class 1 approval

The height of the pendant can be adjusted either by placing the excess cable into the cavity space, or by cutting the cable to the desired length. If the cable length is being cut, please ensure this is undertaken by a trained professional to avoid voiding the warranty.

#### FINISH & SKU NUMBERS

sku:	finish:	size:
RHK-25433	● brass	2m
RHK-24437	● smoked bronze	2m
RHK-24439	● smoked bronze	2.6m
RHK-23441	● steel	2m
RHK-23443	● steel	2.6m

#### CARE INSTRUCTIONS

Wipe with dry cloth with no loose hairs, avoid using any chemicals. Please note all finishes are prone to aging.

#### INCLUDED

1 x Hooked Pendant Light  
 2 x Hooked Shade (small)  
 1 x Hooked Shade (Large)  
 5 x Solid Metal M5 Hook  
 \*To fix hook to ceiling or wall use M5 Wall plug.

#### PLEASE NOTE

DISCLAIMER: Always consult a trade professional when installing this product. Buster + Punch is not responsible for the usage or feasibility of installation requirements. This product is not suitable for damp or wet environments.

Any adjustment work needs to be carried out by a suitably qualified person. Any damage to the product caused by negligence, abusive use or misuse and/or any changes to the product which are not detailed in B+P instruction manuals, is explicitly excluded from the product warranty.