

**DIMMER MODULE /  
MULTIPOINT / 250W  
/ RETRACTIVE**

---

**ACTION: DIMMER MODULE**

---

**KNURL: N/A**

---

**RANGE: DIMMER MODULE**

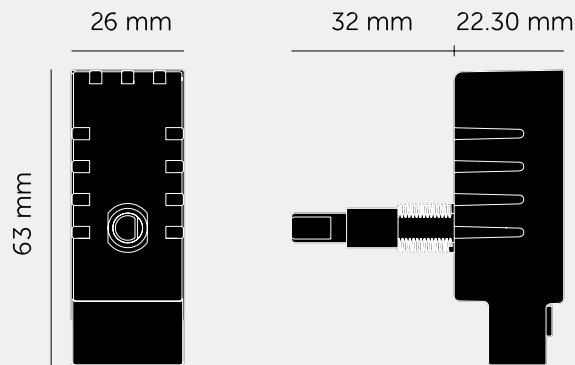
---

A multipoint (retractive) LED dimmer module to enable dimming from multiple locations. Combine with a modular Buster + Punch UK wall plate and finish with one of our detail kits in the knurled and finish of your choice to create a future-proof switch – customised by you and engineered to perfection by us.

Only compatible with retractive toggle modules, and for installation with dedicated retractive-enabled lighting circuits – see tech spec and instruction manual for more information. If in doubt, always consult a licensed electrician.

Note: rotary action includes a soft, audible ticking feedback during adjustment.






---

#### SPECIFICATIONS

---

Style: Push On / Off Rotary Dimmer  
 Switching: Multi-location dimming using retractive switches  
 Input: 220-240VAC  
 Dimming Type: Auto-detect trailing edge (native) and leading edge (simulated) with manual override  
 Load: 10-350W - Incandescent / 3-250W - LED  
 For Use In: UK and Europe  
 Certification: UKCA / CE

For use with retractive switches on retractive dimming circuits, to control dimming from multiple locations.

For use with Buster + Punch UK modular electricity plates only.

Not compatible with standard wiring and standard 1-way, 2-way and 3-way wiring accessories.

Not suitable for motors, fans or any other type of large inductive load.

The dimmer switch incorporates a soft-start feature, which may result in a 1-2 second delay before full illumination to reduce inrush current and extend lamp life.

This module is custom to Buster + Punch and works only with our Cross and Linear knurled dimmer knobs.

note: rotary action includes a soft, audible ticking feedback during adjustment.

---

#### FINISH & SKU NUMBERS

---

sku:	finish:	size:
GDM-024715	● black	1G

---

#### INCLUDED

---

1 x 250W LED Multipoint Dimmer Module

---

#### PLEASE NOTE

---

DISCLAIMER: Always consult a trade professional when installing this product. Buster + Punch is not responsible for the usage or feasibility of installation requirements. This product is not suitable for damp or wet environments.

---

#### CARE INSTRUCTIONS

---

Wipe with a dry lint free cloth with no loose hairs, avoid using any chemicals. Please note that finishes may age naturally with time and regular use.