

**EXHAUST TRACK /  
CROSS / GRAPHITE**

---

**ACTION: SPOTLIGHT**

---

**KNURL: CROSS**

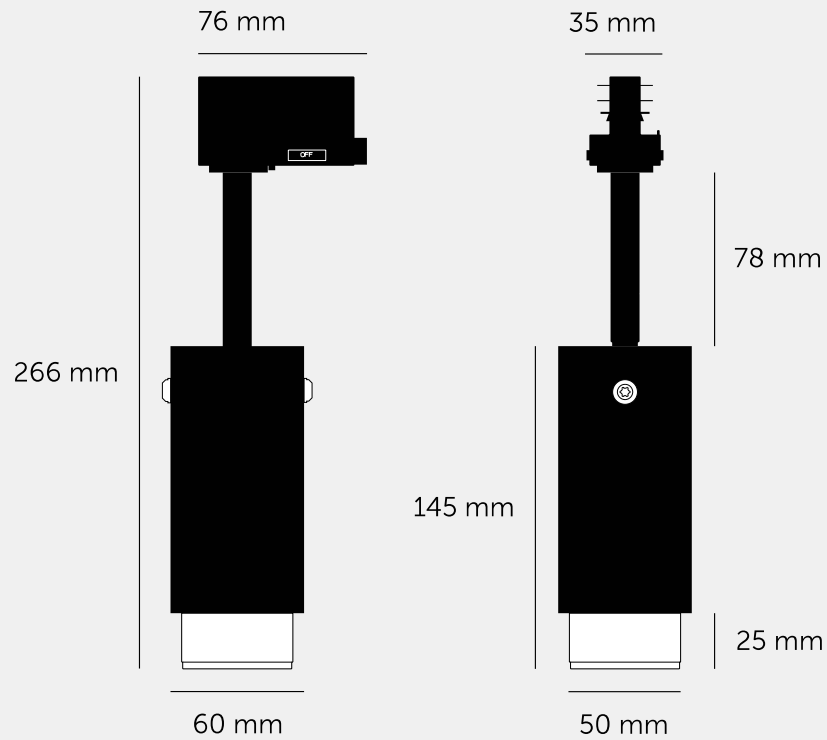
---

**RANGE: EXHAUST**

---

A track spotlight with a powder coated metal body and solid metal detailing. The spotlight features our signature solid metal cross-knurl baffle and machined coin screws. The baffle captures light and creates a delicate metallic glow, whilst a honeycomb filter delivers precise, low-glare, directional light. This spotlight is fully adjustable and comes with a black 3-circuit track adapter. Examples of compatible track are Global, Powergear, Eutrac, Nordic, Unipro. The spotlight fits a GU10 bulb, sold separately.





#### SPECIFICATIONS

Track spotlight  
 GU10 / 220-240VAC / IP20  
 Max 1 x 9W LED GU10 bulb  
 \*Bulb sold separately  
 CB certified / Class 1

Exhaust track spotlight uses a 3-circuit adapter, allowing you to control separate groups of lights on the same track using different switches. This feature requires a 3-circuit track. It will not work on a standard 1-circuit system, where all lights turn on and off simultaneously.

Examples of compatible track: Global, Powergear, Eutrac, Nordic, Unipro

#### FINISH & SKU NUMBERS

sku:	finish:	size:
REIG-944024	● black	
REIG-184025	● brass	
REIG-614026	● smoked bronze	
REIG-194027	● steel	

#### INCLUDED

1 x Exhaust Track Body  
 1x Exhaust Detail Kit  
 1 x Honeycomb Filter  
 1 x Ceiling rose extender  
 \*

\* The following come in separate boxes:  
 1 x Baffle\*  
 2 x Torx Screws\*

#### PLEASE NOTE

DISCLAIMER: Always consult a trade professional when installing this product. Buster + Punch is not responsible for the usage or feasibility of installation requirements. This product is not suitable for damp or wet environments.

#### CARE INSTRUCTIONS

Wipe with lint-free cloth with no loose hairs, avoid using any chemicals. Please note all finishes are prone to aging.