

**EXHAUST SPOT /
LINEAR / GRAPHITE**

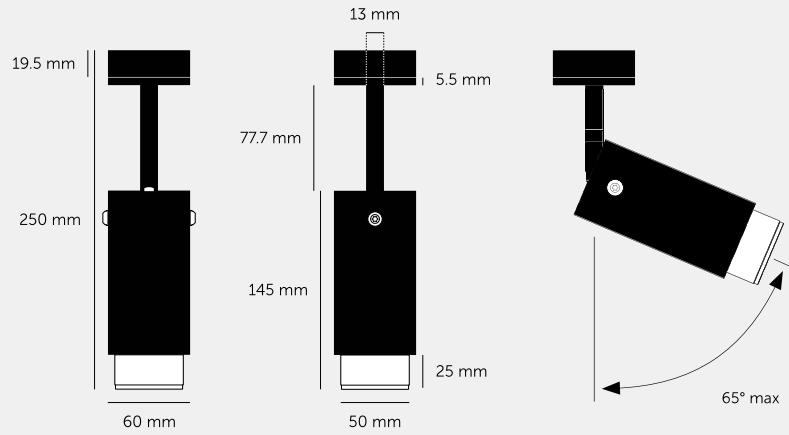
ACTION: SPOTLIGHT

KNURL: LINEAR

RANGE: EXHAUST

An adjustable spotlight with a powder coated metal body and solid metal detailing. The spotlight features our signature linear-knurl baffle and machined coin screws, both made from solid metal. The baffle captures light and creates a delicate metallic glow, whilst a honeycomb filter emits a precise, non-glare, directional spotlight. This spotlight fits a GU10 bulb, sold separately.





SPECIFICATIONS

Adjustable spotlight
 GU10 / 220-240VAC / IP20
 Max 1 x 9W LED GU10 bulb
 *Bulb sold separately
 CB certified / Class 1

INCLUDED

1 x Exhaust Spot Body
 1 x Exhaust Detail Kit
 1 x Honeycomb Filter
 1 x Ceiling rose extender
 *
 * The following come in separate boxes:
 1 x Baffle*
 2 x Torx Screws*

FINISH & SKU NUMBERS

sku	finish	size
REIG-183960	● brass	
REIG-683961	● burnt steel	
REIG-693962	● gun metal	
REIG-193963	● steel	

PLEASE NOTE

DISCLAIMER: Always consult a trade professional when installing this product. Buster + Punch is not responsible for the usage or feasibility of installation requirements. This product is not suitable for damp or wet environments.

CARE INSTRUCTIONS

Wipe with lint-free cloth with no loose hairs, avoid using any chemicals. Please note all finishes are prone to aging.