

**EXHAUST SPOT /
CROSS / STONE**

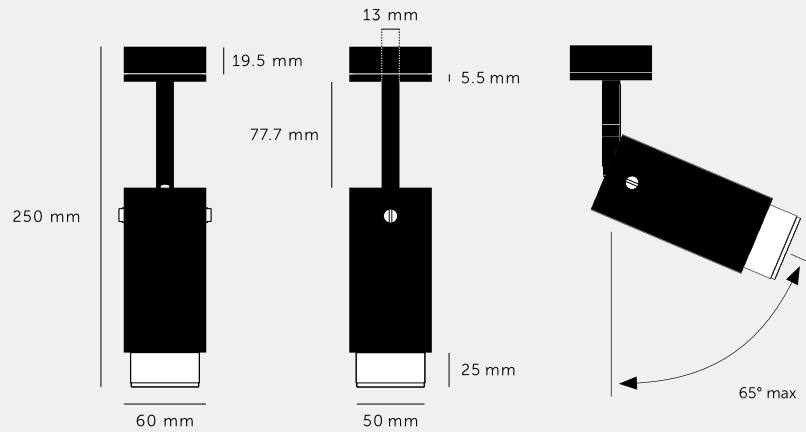
ACTION: SPOTLIGHT

KNURL: CROSS

RANGE: SPOTLIGHTS

An adjustable spotlight with a powder coated metal body and solid metal detailing. The spotlight features our signature solid metal cross-knurl baffle and machined coin screws. The baffle captures light and creates a delicate metallic glow, whilst a honeycomb filter delivers a precise, low-glare, directional light. This spotlight fits a GU10 bulb, sold separately.





SPECIFICATIONS

Adjustable spotlight
 GU10 / 220-240VAC / IP20
 Max 1 x 9W LED GU10 bulb
 *Bulb sold separately
 CB certified / Class 1

INCLUDED

1 x Exhaust Spot Body
 1 x Exhaust Detail Kit
 1 x Honeycomb Filter
 1 x Ceiling rose extender
 *
 * The following come in separate boxes:
 1 x Baffle*
 2 x Torx Screws*

FINISH & SKU NUMBERS

sku	finish	size
REIG-223964	● black	
REIG-253965	● brass	
REIG-603966	● smoked bronze	
REIG-233967	● steel	

PLEASE NOTE

DISCLAIMER: Always consult a trade professional when installing this product. Buster + Punch is not responsible for the usage or feasibility of installation requirements. This product is not suitable for damp or wet environments.

CARE INSTRUCTIONS

Wipe with lint-free cloth with no loose hairs, avoid using any chemicals. Please note all finishes are prone to aging.