

**EXHAUST PENDANT /  
CROSS / STONE**

---

**ACTION: PENDANT**

---

**KNURL: CROSS**

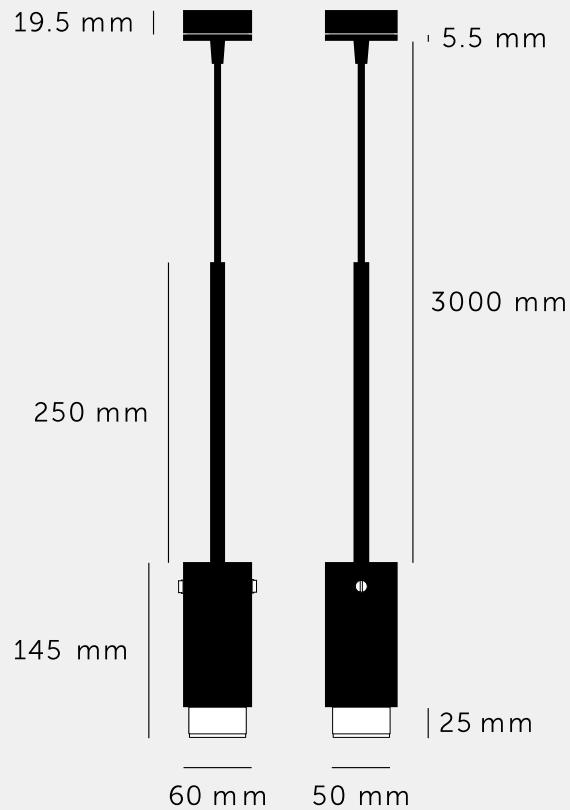
---

**RANGE: EXHAUST**

---

A pendant spotlight with a powder coated metal body and solid metal detailing. The pendant features our signature solid metal cross-knurl baffle and machined screws. The baffle captures light and creates a delicate metallic glow, whilst a honeycomb filter delivers a precise, low-glare, directional spotlight. This spotlight fits a GU10 bulb, sold separately.





#### SPECIFICATIONS

Pendant Spotlight  
 110 - 120 VAC  
 Dry Locations  
 Adjustable 3000mm cable  
 Max 1 x 9W LED GU10 bulb  
 Bulb Sold Separately  
 CB certified / Class 1

The height of the pendant can be adjusted either by placing the excess cable into the cavity space, or by cutting the cable to the desired length. If the cable length is being cut, please ensure this is undertaken by a trained professional to avoid voiding the warranty.

#### FINISH & SKU NUMBERS

sku:	finish:	size:
REIG-223930	● black	
REIG-253931	● brass	
REIG-603932	● smoked bronze	
REIG-233933	● steel	

#### INCLUDED

1 x Exhaust Pendant Body  
 1x Exhaust Detail Kit  
 1 x Honeycomb Filter  
 1 x Ceiling rose extender  
 \*

\* The following come in separate boxes:  
 1 x Baffle\*  
 2 x Torx Screws\*

#### PLEASE NOTE

DISCLAIMER: Always consult a trade professional when installing this product. Buster + Punch is not responsible for the usage or feasibility of installation requirements. This product is not suitable for damp or wet environments.

Any adjustment work needs to be carried out by a suitably qualified person. Any damage to the product caused by negligence, abusive use or misuse and/or any changes to the product which are not detailed in B+P instruction manuals, is explicitly excluded from the product warranty.

#### CARE INSTRUCTIONS

Wipe with lint-free cloth with no loose hairs, avoid using any chemicals. Please note all finishes are prone to aging.