

**DETAIL KIT /
EXHAUST / LINEAR**

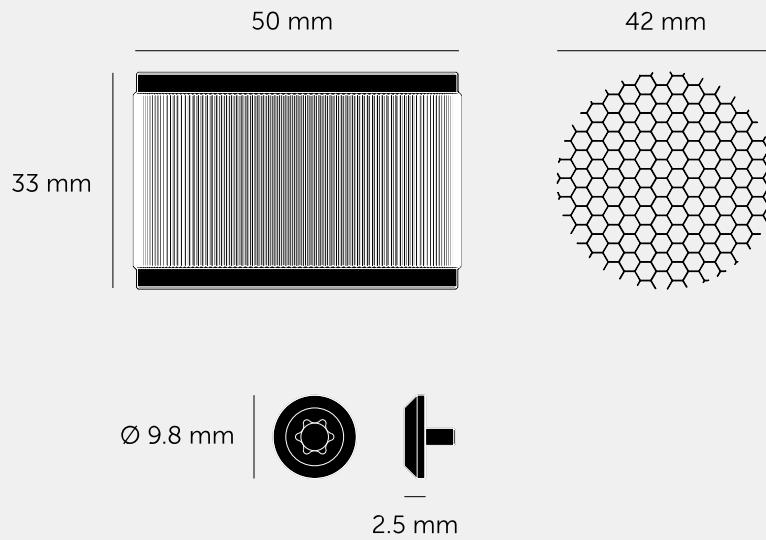
ACTION: DETAIL KIT

KNURL: LINEAR

RANGE: EXHAUST DETAILS

A baffle made from solid metal, featuring a linear knurl, complete with matching torx screws. Use this to customise your EXHAUST light.





SPECIFICATIONS

A baffle made from solid metal, complete with matching torx screws. Use this to customise your EXHAUST light.

INCLUDED

1x baffle
1x honeycomb filter
2x torx screws

PLEASE NOTE

DISCLAIMER: Always consult a trade professional when installing this product. Buster + Punch is not responsible for the usage or feasibility of installation requirements. This product is not suitable for damp or wet environments.

FINISH & SKU NUMBERS

sku:	finish:	size:
RBB-05685	● brass	
RBB-36795	● burnt steel	
RBB-35687	● gun metal	
RBB-07686	● steel	

CARE INSTRUCTIONS

Wipe with lint-free cloth with no loose hairs, avoid using any chemicals. Please note all finishes are prone to aging.