

DETAIL KIT / EXHAUST / CROSS

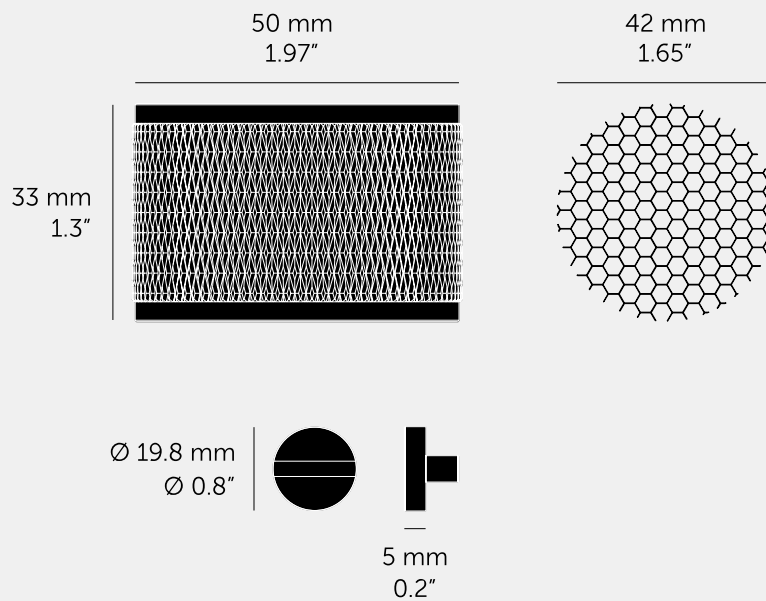
ACTION: DETAIL KIT

KNURL: CROSS

RANGE: EXHAUST DETAILS

A baffle made from solid metal, featuring diamond-cut cross knurl detailing, complete with matching coin screws. Use this to customise your EXHAUST light.





SPECIFICATIONS

A baffle made from solid metal, complete with matching torx screws. Use this to customise your EXHAUST light.

INCLUDED

1x baffle
 1x honeycomb filter
 2x torx screws

PLEASE NOTE

DISCLAIMER: Always consult a trade professional when installing this product. Buster + Punch is not responsible for the usage or feasibility of installation requirements. This product is not suitable for damp or wet environments.

FINISH & SKU NUMBERS

sku:	finish:	size:
UEDK-023534	● black	
UEDK-053522	● brass	
UEDK-453524	● smoked bronze	
UEDK-073523	● steel	

CARE INSTRUCTIONS

Wipe with lint-free cloth with no loose hairs, avoid using any chemicals. Please note all finishes are prone to aging.