

**DETAIL KIT /  
EXHAUST / CROSS**

---

**ACTION: DETAIL KIT**

---

**KNURL: CROSS**

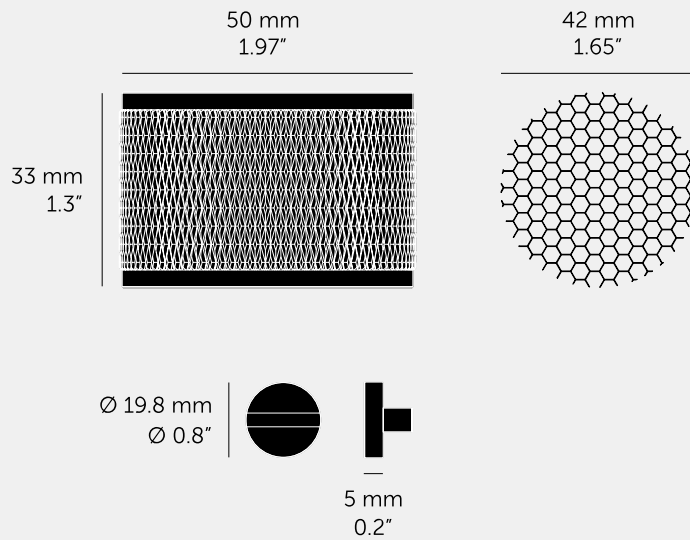
---

**RANGE: EXHAUST DETAILS**

---

A baffle made from solid metal, featuring diamond-cut cross knurl detailing, complete with matching coin screws. Use this to customise your EXHAUST light.






---

#### SPECIFICATIONS

A baffle made from solid metal, complete with matching torx screws. Use this to customise your EXHAUST light.

---

#### INCLUDED

1x baffle  
 1x honeycomb filter  
 2x torx screws

---

#### FINISH & SKU NUMBERS

sku	finish	size
UEDK-023534	● black	
UEDK-053522	● brass	
UEDK-453524	● smoked bronze	
UEDK-073523	● steel	

---

#### PLEASE NOTE

DISCLAIMER: Always consult a trade professional when installing this product. Buster + Punch is not responsible for the usage or feasibility of installation requirements. This product is not suitable for damp or wet environments.

---

#### CARE INSTRUCTIONS

Wipe with lint-free cloth with no loose hairs, avoid using any chemicals. Please note all finishes are prone to aging.