

**2G SOCKET /  
SCHUKO TYPE F /  
WITHOUT LOGO**

---

**ACTION: POWER OUTLET**

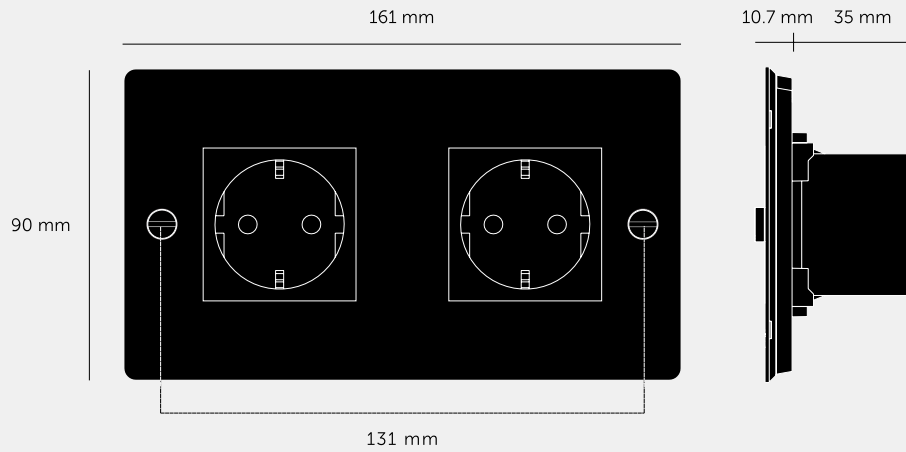
---

**RANGE: POWER OUTLETS**

---

A power outlet finished with a solid metal flat plate and our signature coin screws. Available in five different finishes, they can be used in combination with our matching dimmers and toggle switches.






---

#### SPECIFICATIONS

---

Solid metal socket plate with two Schuko Sockets, in our signature white, steel, brass, smoked bronze and black finishes.

Module Code: CSM-021896/ CSM-141904 (2 per unit)

Style: Schuko Socket Type F

Outlet: 250 V ~ / 50-60 Hz / 16A

Certified for use in Europe and EAEU: CE / EAC

Compatible with European standard electricity backboxes. See dimensions of chosen module for required backbox depth. Backbox must be flush mounted.

For indoor use only.

This piece features a 6.5mm shadow gap when installed.

\*For white products, module is finished in white.

For all other finishes (steel, brass, smoked bronze, black), module is finished in black.

---

#### FINISH & SKU NUMBERS

---

sku:	finish:	size:
CSK-023440	● black	2G
CSK-053442	● brass	2G
CSK-453446	● smoked bronze	2G
CSK-073444	● steel	2G
CSK-143448	● white	2G

---

#### INCLUDED

---

1 x 2G Wall Plate  
 2 x Schuko Socket Modules  
 2 x Coin Caps

---

#### PLEASE NOTE

---

DISCLAIMER: Always consult a trade professional when installing this product. Buster + Punch is not responsible for the usage or feasibility of installation requirements. This product is not suitable for damp or wet environments.

---

#### CARE INSTRUCTIONS

---

Wipe with a dry lint free cloth with no loose hairs, avoid using any chemicals. Please note that finishes may age naturally with time and regular use.