

**1G TOGGLE / CROSS
/ WITHOUT LOGO**

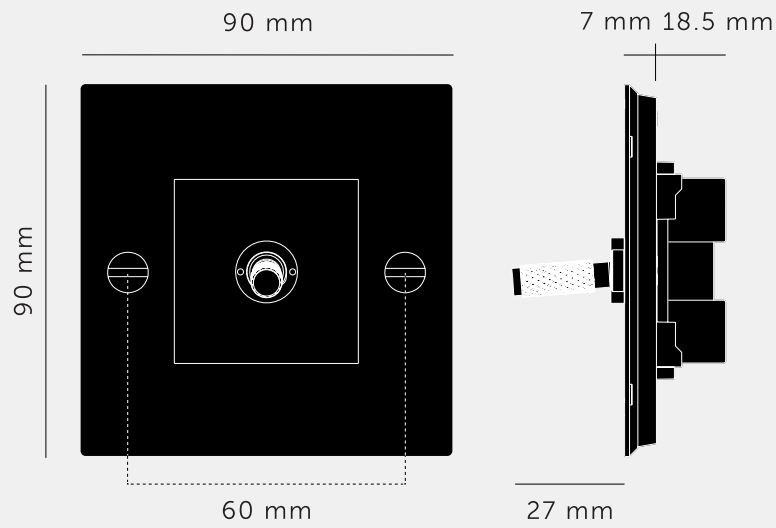
ACTION: TOGGLE SWITCH

KNURL: CROSS

RANGE: LIGHT SWITCHES

A solid metal toggle switch with diamond-cut cross or linear knurling. The switch is finished with a solid metal flat plate and our signature coin/torx screws. Available in five different finishes, they can be used in combination with our matching dimmers, sockets and USB outlets





SPECIFICATIONS

Solid metal switch plate with one toggle, in our signature white, steel, brass, smoked bronze and black finishes.

Module: CTM-142035

Style: On / Off Toggle Switch

Switching: 2-way (can be controlled from 2 locations)

220-250VAC / 10AX / 50Hz

Certified for use in UK, Europe and EAEU: UKCA / CE / EAC

Certification: EN 60669

For use with standard 1-way, 2-way and 3-way wiring accessories.
Compatible with smart home systems that accept standard switch inputs.
Not compatible with retractive switches and Buster + Punch multipoint dimmers.

Not suitable for motors, fans or any other type of large inductive load.
Make sure to consider the inrush current load on the circuit when specifying this module (10AX max.).

Compatible with European standard electricity backboxes. See dimensions of chosen module for required backbox depth. Backbox must be flush mounted.

For indoor use only.

This piece features a 6.5mm shadow gap when installed.

FINISH & SKU NUMBERS

sku:	finish:	size:
CTG-023791	● black	1G
CTG-053792	● brass	1G
CTG-093793	● smoked bronze	1G
CTG-073794	● steel	1G
CTG-143795	● white	1G
CTG-134875	black / warm sunset	1G

INCLUDED

1 x Wall Plate
1 x Toggle Module
1 x Toggle Detail Kit

PLEASE NOTE

DISCLAIMER: Always consult a trade professional when installing this product. Buster + Punch is not responsible for the usage or feasibility of installation requirements. This product is not suitable for damp or wet environments.

CARE INSTRUCTIONS

Wipe with a dry lint free cloth with no loose hairs, avoid using any chemicals. Please note that finishes may age naturally with time and regular use.