

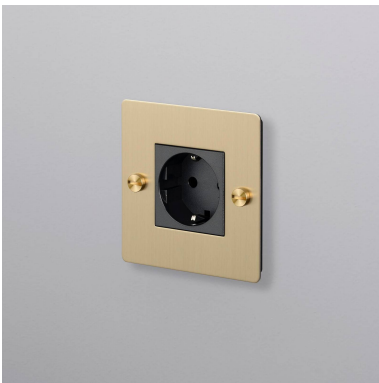
**1G SOCKET /
SCHUKO TYPE F /
CROSS / WITHOUT**

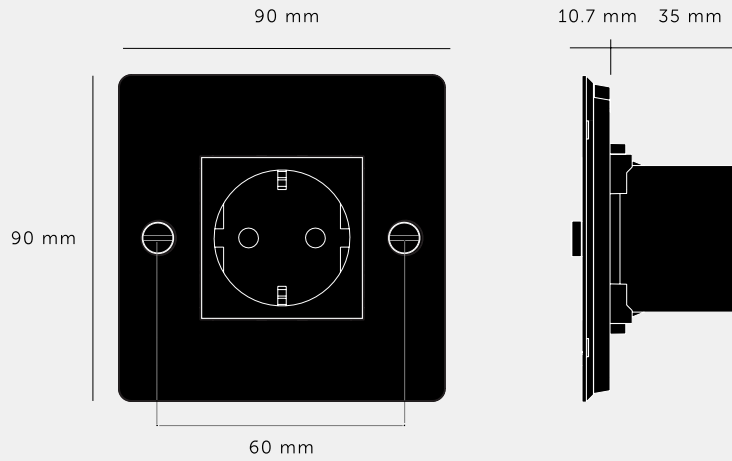
ACTION: POWER OUTLET

KNURL: CROSS

RANGE: POWER OUTLETS

A power outlet finished with a solid metal flat plate and our signature coin or Linear torx screws. Available in five different finishes, they can be used in combination with our matching dimmers and toggle switches.





SPECIFICATIONS

Solid metal socket plate with one Schuko Socket, in our signature white, steel, brass, smoked bronze and black finishes.

Module Code: CSM-021896/ CSM-141904 (1 per unit)

Style: Schuko Socket Type F

Outlet: 250 V ~ / 50-60 Hz / 16A

Certified for use in Europe and EAEU: CE / EAC

Compatible with European standard electricity backboxes. See dimensions of chosen module for required backbox depth. Backbox must be flush mounted.

For indoor use only.

This piece features a 6.5mm shadow gap when installed.

*For white products, module is finished in white.

For all other finishes (steel, brass, smoked bronze, black), module is finished in black.

FINISH & SKU NUMBERS

sku:	finish:	size:
CSC-023786	● black	1G
CSC-053787	● brass	1G
CSC-093788	● smoked bronze	1G
CSC-073789	● steel	1G
CSC-143790	● white	1G
CSK-134869	● black / warm sunset	1G

INCLUDED

- 1 x Wall Plate
- 1 x Schuko Socket Module
- 1 x Coin Cap Kit

PLEASE NOTE

DISCLAIMER: Always consult a trade professional when installing this product. Buster + Punch is not responsible for the usage or feasibility of installation requirements. This product is not suitable for damp or wet environments.

CARE INSTRUCTIONS

Wipe with a dry lint free cloth with no loose hairs, avoid using any chemicals. Please note that finishes may age naturally with time and regular use.