

**1G DIMMER / 120W
2-WAY / LINEAR /
WITHOUT LOGO**

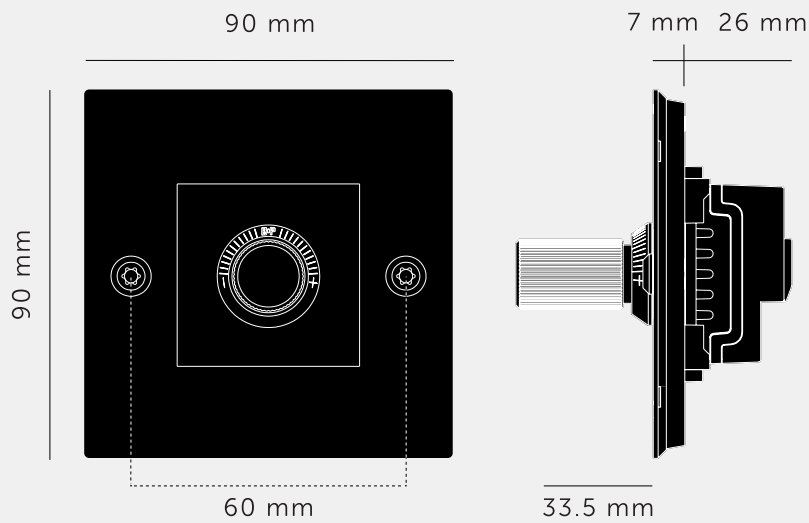
ACTION: DIMMER SWITCH

KNURL: LINEAR

RANGE: DIMMER SWITCHES

A solid metal dimmer switch with our latest Linear knurling. The switch is finished with a solid metal flat plate and torx screws. Available in five different finishes, they can be used in combination with our matching toggle switches, sockets and USB outlets.





SPECIFICATIONS

Solid metal switch plate with one 2-way dimmer, in our signature white, steel, brass, smoked bronze and black finishes.

Module: CDM-012406
 Style: Push On/Off Rotary Dimmer
 Dimming Type: Trailing edge (native, default) and leading edge (simulated)
 Input: 230-240 VAC 50Hz
 Load: LED 5-120W / HAL/INC 60-400W
 Intelligent soft-start
 BS EN 60669-2-1
 Certified for use in UK and Europe:
 UKCA / CE

For use with standard 2-way and 3-way wiring accessories. Maximum one dimmer module per circuit.

Not compatible with retractable switches and Buster + Punch multipoint dimmers.

Not compatible with non-dimmable lamps & fixtures, compact fluorescent lamps (CFLs) or electric motors (e.g. fans).

Not compatible with native TRIAC (leading edge) dimmable drivers. Suitable for use with good quality ELV electronic drivers only. Certain transformers & drivers may not behave according to their power rating when used with a dimmer. In case of issues, change your driver(s), remove one or more driver from the circuit.

The dimmer switch incorporates a soft-start feature, which may result in a 1–2 second delay before full illumination to reduce inrush current and extend lamp life.

This module is custom to Buster + Punch and works only with our Cross and Linear knurled dimmer knobs.

Note: rotary action is smooth and silent during operation.

Compatible with European standard electricity backboxes. Backbox must be flush mounted.

For indoor use only.

This piece features a 6.5mm shadow gap when installed.

INCLUDED

1 x Wall Plate
 1 x Dimmer Module
 1 x Dimmer Detail Kit
 1 x Torx Cap Kit

PLEASE NOTE

DISCLAIMER: Always consult a trade professional when installing this product. Buster + Punch is not responsible for the usage or feasibility of installation requirements. This product is not suitable for damp or wet environments.

CARE INSTRUCTIONS

Wipe with a dry lint free cloth with no loose hairs, avoid using any chemicals. Please note that finishes may age naturally with time and regular use.

FINISH & SKU NUMBERS

sku:	finish:	size:
CDR-024171	● black	1G
CDR-054172	● brass	1G
CDR-454173	● smoked bronze	1G
CDR-074174	● steel	1G

