

DOG COLLAR / CROSS / BLACK / PURPLE

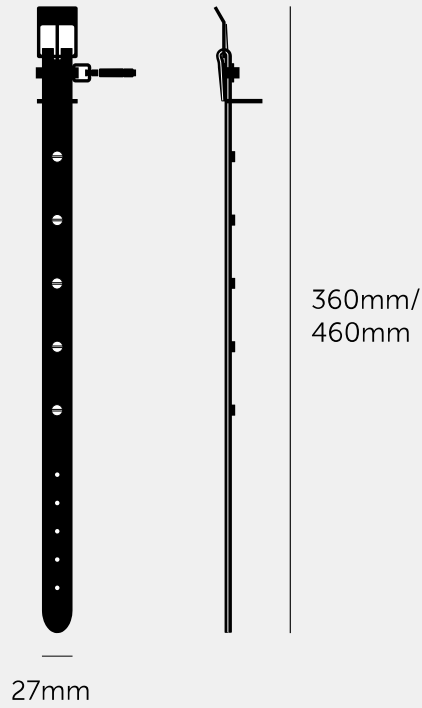
ACTION: DOG COLLAR

KNURL: CROSS

RANGE: DOG COLLARS

Buster + Punch launches a collection of dog collars and leads, hand crafted from the finest leather with solid metal detailing and an adjustable closure. The collar is studded with our solid metal coin screws and features our signature diamond-cut, cross-knurl pendant, that can be screwed off to store all your dog's precious details. The outside of the collar is finished in black buffalo leather, gently embossed with our 'B+P' pattern and the inside made from super soft cow leather, naturally stained in purple.





SPECIFICATIONS

In order to find the correct size collar, measure around your dog's neck where the collar will sit.

X-SMALL = 360X15MM
 SMALL = 460X15MM
 MEDIUM = 560X27MM
 LARGE = 660X27MM
 X-LARGE = 760X27MM

INCLUDED

1 x Dog Collar

FINISH & SKU NUMBERS

sku:	finish:	size:
RPA-02767	● brass	X-SMALL
RPA-02768	● steel	X-SMALL
RPA-02769	● brass	SMALL
RPA-02770	● steel	SMALL
RPA-02771	● brass	MEDIUM
RPA-02772	● steel	MEDIUM
RPA-02773	● brass	LARGE
RPA-02774	● steel	LARGE
RPA-02775	● brass	X-LARGE
RPA-02776	● steel	X-LARGE

PLEASE NOTE

When the collar is on, ensure there is enough room to fit two fingers comfortably between the dog's neck and collar. This will avoid pinching and skin irritation from a collar that is too tight.

CARE INSTRUCTIONS

Wipe with damp cloth with no loose hairs, avoid using any chemicals. Please note all finishes are prone to aging.