

**DETAIL KIT /
DIMMER / CROSS**

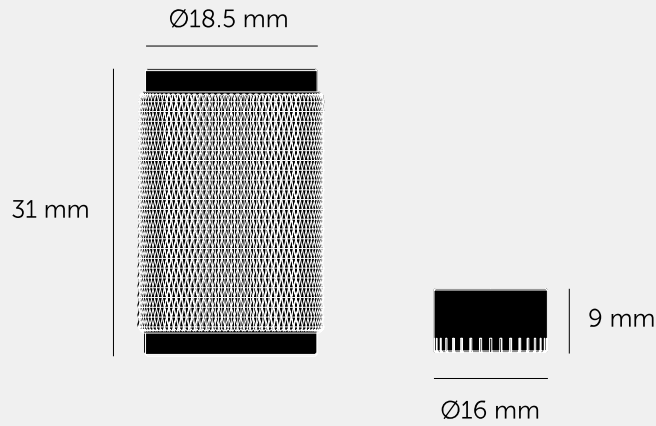
ACTION: DETAIL KIT

KNURL: CROSS

RANGE: DETAIL KIT

A dimmer switch detail kit made from solid metal. To be teamed up with our dimmer modules and wall plates to complete your custom electricity product.





SPECIFICATIONS

A dimmer switch detail kit made from solid metal. To be teamed up with our dimmer modules and wall plates to complete your custom electricity product.

Only compatible with Buster + Punch dimmer modules.

Base material: Aluminium

INCLUDED

1 x Cross Dimmer Knob
1 x Cross Dimmer Cosmetic Nut
1 x Cross Dimmer Lock Nut

PLEASE NOTE

DISCLAIMER: Always consult a trade professional when installing this product. Buster + Punch is not responsible for the usage or feasibility of installation requirements. This product is not suitable for damp or wet environments.

FINISH & SKU NUMBERS

sku:	finish:	size:
RDK-023749	● black	1G
RDK-053750	● brass	1G
RDK-093751	● smoked bronze	1G
RDK-143753	● steel	1G
RDK-073752	● white	1G
RDK-134482	● warm sunset	1G

CARE INSTRUCTIONS

Wipe with a dry lint free cloth with no loose hairs, avoid using any chemicals. Please note that finishes may age naturally with time and regular use.