

**DETAIL KIT /  
DIMMER / LINEAR**

---

**ACTION: DETAIL KIT**

---

**KNURL: LINEAR**

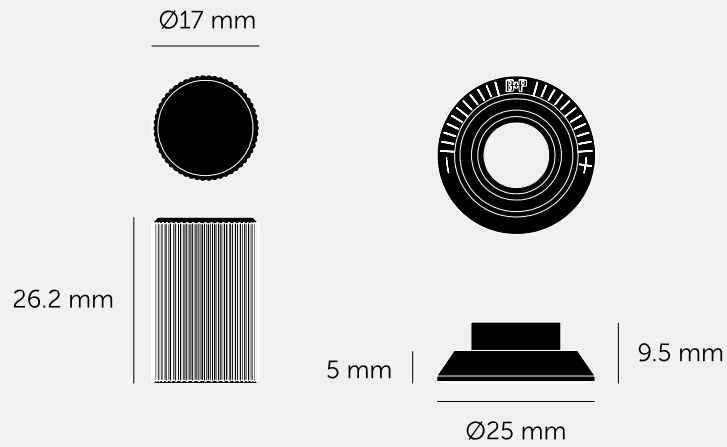
---

**RANGE: DETAIL KIT**

---

Our NEW Linear knurl dimmer switch detail kit made from solid metal, complete with dimmer nut. To be teamed up with our dimmer modules and wall plates to complete your custom electricity product.






---

#### SPECIFICATIONS

---



---

#### INCLUDED

---

1 x Linear Dimmer Knob  
 1 x Linear Dimmer Cosmetic Nut  
 1 x Linear Dimmer Lock Nut

---

#### FINISH & SKU NUMBERS

---

sku:	finish:	size:
RDK-024522	● black	N/A
RDK-054522	● brass	N/A
RDK-454522	● smoked bronze	N/A
RDK-074522	● steel	N/A
RDK-144522	● white	N/A

---

#### PLEASE NOTE

---

DISCLAIMER: Always consult a trade professional when installing this product. Buster + Punch is not responsible for the usage or feasibility of installation requirements. This product is not suitable for damp or wet environments.

---

#### CARE INSTRUCTIONS

---

Wipe with a dry lint free cloth with no loose hairs, avoid using any chemicals. Please note that finishes may age naturally with time and regular use.