

**DETAIL KIT /
DIMMER / LINEAR**

ACTION: DETAIL KIT

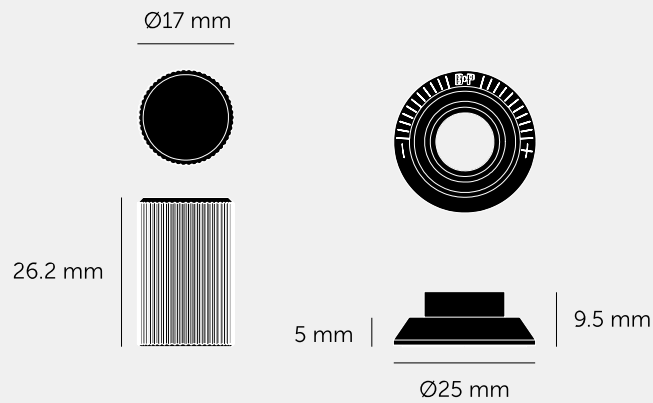
KNURL: LINEAR

RANGE: DETAIL KIT

A dimmer switch detail kit made from solid metal with our signature diamond-cut linear knurl. To be teamed up with our toggle modules and wall plates to complete your custom dimmer or change the look of an existing custom dimmer.

See tech spec for more information. If in doubt, always consult a licensed electrician.





SPECIFICATIONS

A dimmer switch detail kit made from solid metal. To be teamed up with our dimmer modules and wall plates to complete your custom electricity product.

Only compatible with Buster + Punch dimmer modules.

Base material: Aluminium

INCLUDED

- 1 x Linear Dimmer Knob
- 1 x Linear Dimmer Cosmetic Nut
- 1 x Linear Dimmer Lock Nut

PLEASE NOTE

DISCLAIMER: Always consult a trade professional when installing this product. Buster + Punch is not responsible for the usage or feasibility of installation requirements. This product is not suitable for damp or wet environments.

FINISH & SKU NUMBERS

sku	finish	size
RDK-024522	● black	1G
RDK-054522	● brass	1G
RDK-454522	● smoked bronze	1G
RDK-074522	● steel	1G
RDK-144522	● white	1G

CARE INSTRUCTIONS

Wipe with a dry lint free cloth with no loose hairs, avoid using any chemicals. Please note that finishes may age naturally with time and regular use.