

LED DIMMER COMPENSATOR MODULE

ACTION: MODULE

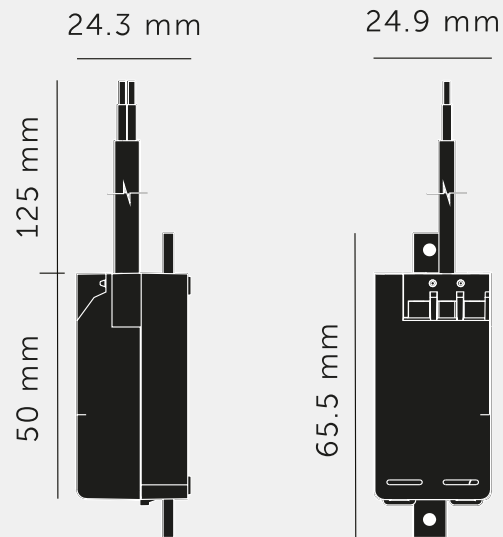
KNURL: N/A

RANGE: ELECTRICITY

A LED Dimmer Compensator/load regulator module to improve the stability (flickering) of LED lamps in a dimming circuit. It can also improve the lowest dim settings.

Certified for use in the UK and Europe: UKCA/CE
Compatible with trailing-edge dimmers only.





SPECIFICATIONS

Dimmer Compensator/Load Regulator Module
Operating Voltage: 230V ~ 50Hz
Maximum power consumption: >1W
Certified for use in the UK and Europe: UKCA/CE
For use on circuits with trailing edge dimmer modules only.

The Dimmer Compensator is designed to improve the dimming performance of LED lamps when used in combination with LED dimmers.

A compensator can improve performance in two ways:

1. With certain combinations of lamps the addition of a compensator can improve the stability of the lamps at a lower brightness level, extending the dimming range when used with LED dimmers.
2. Due to the extremely low current required to illuminate them, some LED lamps will remain illuminated at a low glow when remote control dimmers are switched off. This is because remote control dimmers draw a tiny current in standby mode so that they are ready to receive a signal from the handset. This tiny current may be sufficient to illuminate LED lamps. The addition of just one compensator will solve this problem.

INCLUDED

PLEASE NOTE

DISCLAIMER: Always consult a trade professional when installing this product. Buster + Punch is not responsible for the usage or feasibility of installation requirements. This product is not suitable for damp or wet environments.

FINISH & SKU NUMBERS

sku	finish	size
CXM-023406	● black	

CARE INSTRUCTIONS

Wipe with a dry lint free cloth with no loose hairs, avoid using any chemicals. Ensure all cable insulation is in tact and contacts are correctly terminated.