

**CLOSET BAR /
CROSS**

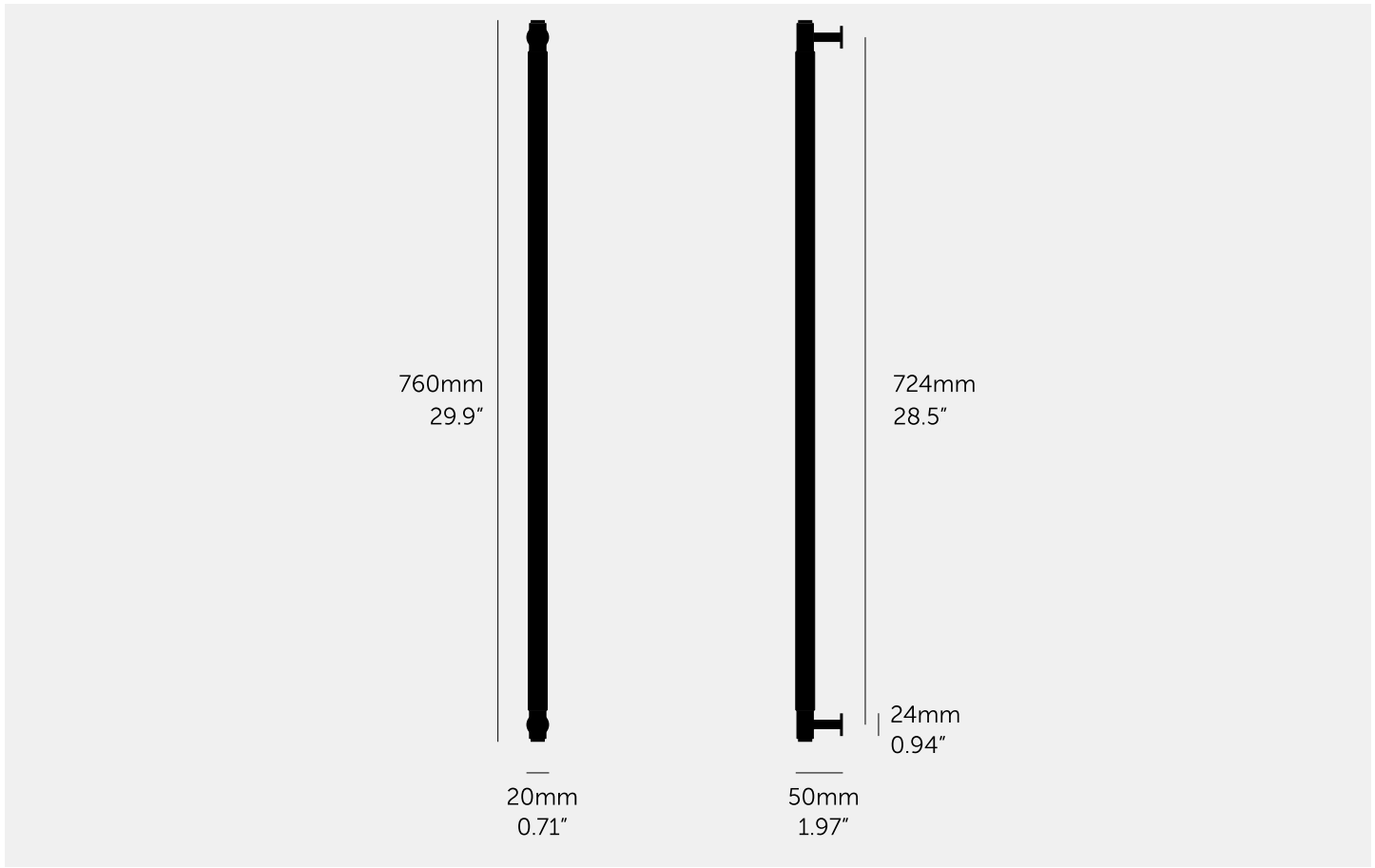
ACTION: CLOSET BAR

KNURL: CROSS

RANGE: CLOSET BARS

A closet bar made from solid metal. A solid base with diamond-cut knurled handle details, ensuring pleasure with every touch. Works great as an appliance pull, on cabinet doors, cupboards and kitchen units.





SPECIFICATIONS

Fits doors of thickness minimum 10mm or 0.39" to maximum 25mm or 0.98"

INCLUDED

- 1 x closet bar
- 2 x M5x30mm screw
- 2 x washer
- 2 x 24mm small discs

PLEASE NOTE

DISCLAIMER: Always consult a trade professional when installing this product. Buster + Punch is not responsible for the usage or feasibility of installation requirements. This product is not suitable for damp or wet environments. For internal use only. Not for commercial use.

FINISH & SKU NUMBERS

sku:	finish:	size:
UCB-024587	● black	760MM
UCB-054586	● brass	760MM
UCB-453947	● smoked bronze	760MM
UCB-073948	● steel	760MM

CARE INSTRUCTIONS

Wipe with damp cloth with no loose hairs, avoid using any chemicals. Please note all finishes are prone to aging.