

## **DIMMER MODULE / 1-10V / 2 WAY**

---

**ACTION: DIMMER MODULE**

---

**KNURL: N/A**

---

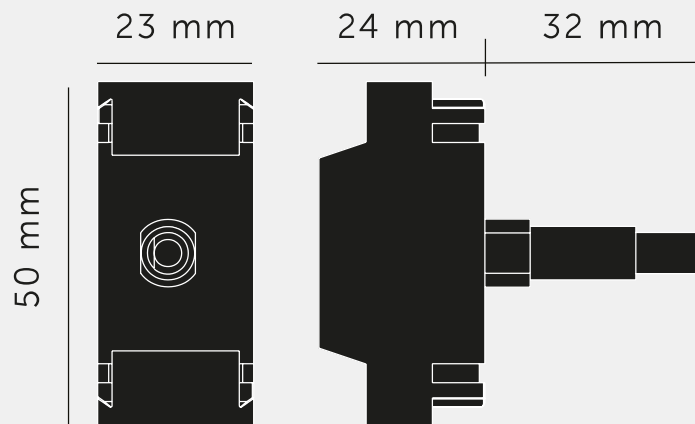
**RANGE: DIMMER MODULE**

---

A 2-Way 1-10V dimmer module, with a soft rotary action, for use with Buster + Punch's custom switches. Combine with a wall plate and detail kit in the finish and knurl of your choice to create a future-proof Buster + Punch dimmer – customised by you and engineered to perfection by us.

See tech spec for more information and compatibility. If in doubt, always consult a licensed electrician.





---

#### SPECIFICATIONS

---

Style: Push On/Off Rotary Dimmer  
Dimming Type: 1-10V  
Input: 250 VAC 50Hz  
Load: 6A  
BS EN 60669-2-1  
Certified for use in UK and Europe:  
UKCA / CE

This dimmer switch is designed for high frequency dimmable ballasts that require a 0-10V or 1-10V control signal.  
Do not use this dimmer switch for any other purpose.  
The dimmer switch will be damaged if used for these applications.

Do not connect the 1-10V control terminals to the mains.  
Incorrect use will make your guarantee invalid.

WARNING: The switch in this product is rated at 6A. Check the in-rush current for LED bulbs or drivers does not exceed 6A before connecting. Fit inrush current limiters where necessary.

---

#### FINISH & SKU NUMBERS

---

finish:

size:

---

#### INCLUDED

---

1 x Dimmer Module (1-10V)  
1 x Anti-Rotation Adapter

---

#### PLEASE NOTE

---

DISCLAIMER: Always consult a trade professional when installing this product. Buster + Punch is not responsible for the usage or feasibility of installation requirements. This product is not suitable for damp or wet environments.

---

#### CARE INSTRUCTIONS

---

Wipe with a dry lint free cloth with no loose hairs, avoid using any chemicals. Please note that finishes may age naturally with time and regular use.