

DUMMY DIMMER MODULE / INTERMEDIATE

ACTION: DUMMY DIMMER MODULE

KNURL: N/A

RANGE: DIMMER MODULE

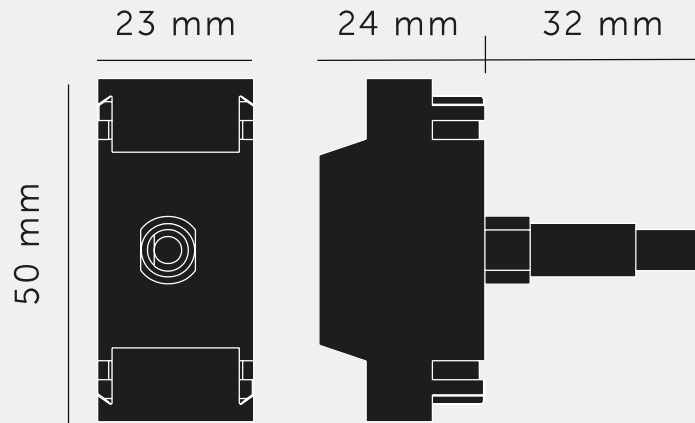
A dummy dimmer module / intermediate push on/off switch (3 way).

Visually identical to a dimmer switch, with the function of an intermediate/3-way toggle switch - for consistent appearance across an electricity plate.

This switch does not have a dimming function.

Compatible with B+P detail kits. Dimmer modules from other suppliers are not compatible with our detail kits.





SPECIFICATIONS

Push-On/Off for 3-way switching (no dimming function)
Intermediate / 3 Way switch
230VAC 50Hz
Maximum Load Rating: 6A
Maximum Current Rating: 6A
Terminal (Live) Diameter: 3.2mm; Capacity: 3 x 1.5mm²
For indoor use only. Domestic lighting circuits.
BS EN 61058-1
Certified for use in the UK and Europe
UKCA / CE
*Not compatible with retractive switching

FINISH & SKU NUMBERS

finish:

size:

INCLUDED

1 x Dummy Dimmer Module (3-way)
1 x Anti-Rotation Adapter

PLEASE NOTE

DISCLAIMER: Always consult a trade professional when installing this product. Buster + Punch is not responsible for the usage or feasibility of installation requirements. This product is not suitable for damp or wet environments.

CARE INSTRUCTIONS

Wipe with a dry lint free cloth with no loose hairs, avoid using any chemicals.