

## DUMMY DIMMER MODULE / PUSH ON/OFF SWITCH / 2

**ACTION: DUMMY DIMMER MODULE**

**KNURL: N/A**

**RANGE: DIMMER MODULE**

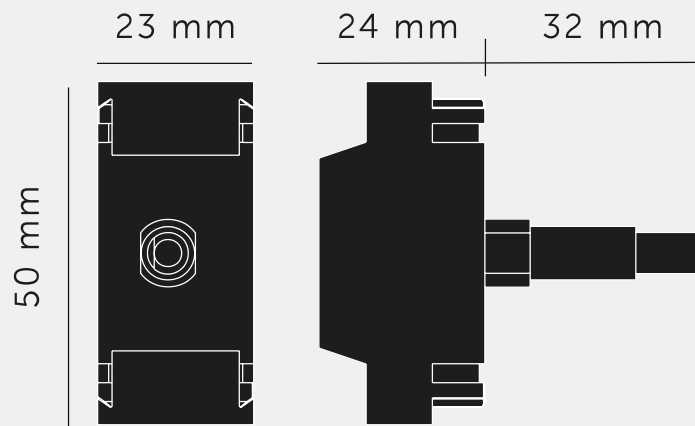
A dummy dimmer module / push on/off switch (2 way).

Visually identical to a dimmer switch, with the function of a 2-way toggle switch - for consistent appearance across an electricity plate.

This switch does not have a dimming function.

Compatible with B+P detail kits. Dimmer modules from other suppliers are not compatible with our detail kits.





---

**SPECIFICATIONS**

---

Push-On/Off for 2-way switching (no dimming function)  
1 or 2 Way switch  
230VAC 50Hz  
Maximum Load Rating: 6A  
Maximum Current Rating: 6A  
Terminal (Live) Diameter: 3.2mm; Capacity: 3 x 1.5mm<sup>2</sup>  
For indoor use only. Domestic lighting circuits.  
BS EN 61058-1  
Certified for use in the UK and Europe  
UKCA / CE  
\*Not compatible with retractive switching

---

**FINISH & SKU NUMBERS**

---

finish:

size:

---

**INCLUDED**

---

1 x Dummy Dimmer Module (2-way)  
1 x Anti-Rotation Adapter

---

**PLEASE NOTE**

---

DISCLAIMER: Always consult a trade professional when installing this product. Buster + Punch is not responsible for the usage or feasibility of installation requirements. This product is not suitable for damp or wet environments.

---

**CARE INSTRUCTIONS**

---

Wipe with a dry lint free cloth with no loose hairs, avoid using any chemicals.