

**DIMMER MODULE /
DUMMY /
RETRACTIVE**

ACTION: DUMMY DIMMER MODULE

KNURL: N/A

RANGE: DIMMER MODULE

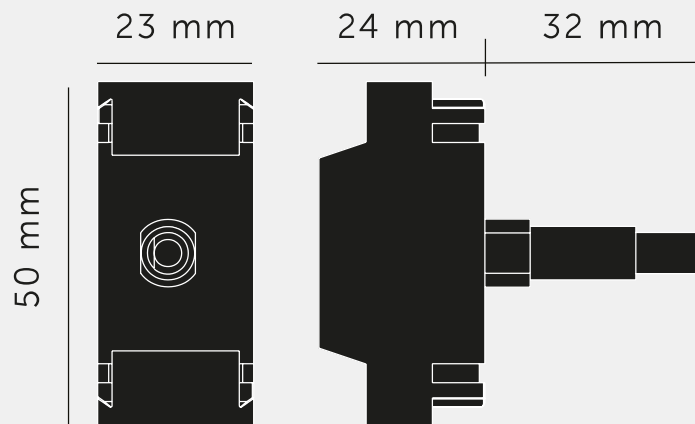
A dummy dimmer module / retractive - momentary - push-to-make switch.

Visually identical to a dimmer switch, with the function of a retractive toggle switch - for consistent appearance across an electricity plate.

Combine with our Multipoint/Retractive Dimmer Module for multiple location control and dimming - push and hold to dim up and down (EU only). Please consult with lighting and control expert. Not compatible with regular 2 or 3 way switching, or standard circuit installations.

Compatible with B+P detail kits. Dimmer modules from other suppliers are not compatible with our detail kits.





SPECIFICATIONS

Retractive / Momentary / Push-to-make switch (no dimming function)
Operating Voltage: 230V 50Hz
Maximum Load Rating: 300W
Maximum Current Rating: 6A
Inrush Current Rating: 100A (20ms), 200A (250 μ s)
Terminal (Live) Diameter: 3.2mm; Capacity: 3 x 1.5mm²
For indoor use only. Domestic lighting circuits.
BS EN 61058-1
Certified for use in the UK and Europe
UKCA / CE

FINISH & SKU NUMBERS

finish:

size:

INCLUDED

1 x Dummy Dimmer Module (Retractive)
1 x Anti-Rotation Adapter

PLEASE NOTE

DISCLAIMER: Always consult a trade professional when installing this product. Buster + Punch is not responsible for the usage or feasibility of installation requirements. This product is not suitable for damp or wet environments.

CARE INSTRUCTIONS

Wipe with a dry lint free cloth with no loose hairs, avoid using any chemicals.