

**DIMMER MODULE /
120W LED / 2 WAY /
PREMIUM**

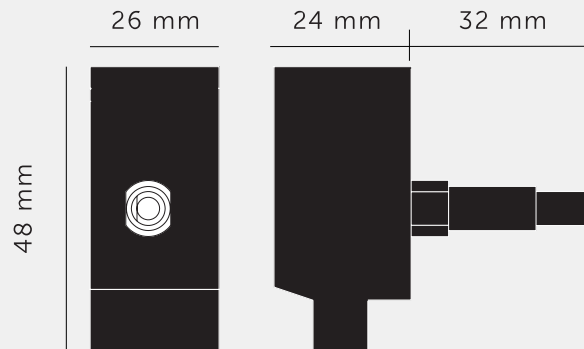
ACTION: DIMMER MODULE

KNURL: N/A

RANGE: DIMMER MODULE

A 2-Way 120W LED dimmer module, with a soft rotary action, for use with Buster + Punch 's custom switches. Compatible with B+P lighting products and a wide range of third party lighting products. Combine with a wall plate and detail kit in the finish and knurl of your choice to create a future-proof Buster + Punch dimmer – customised by you and engineered to perfection by us. See tech spec for more information and compatibility. If in doubt, always consult a licensed electrician.





SPECIFICATIONS

Style: Push On/Off Rotary Dimmer
Dimming Type: Trailing edge (native, default) and leading edge (simulated)
Input: 230-240 VAC 50Hz
Load: LED 5-120W / HAL/INC 60-400W
Intelligent soft-start
BS EN 60669-2-1
Certified for use in UK and Europe:
UKCA / CE

For use with standard 2-way and 3-way wiring accessories. Maximum one dimmer module per circuit.

Not compatible with retractive switches and Buster + Punch multipoint dimmers.

Not compatible with non-dimmable lamps & fixtures, compact fluorescent lamps (CFLs) or electric motors (e.g. fans).

Not compatible with native TRIAC (leading edge) dimmable drivers.

Suitable for use with good quality ELV electronic drivers only. Certain transformers & drivers may not behave according to their power rating when used with a dimmer. In case of issues, change your driver(s), remove one or more driver from the circuit.

The dimmer switch incorporates a soft-start feature, which may result in a 1–2 second delay before full illumination to reduce inrush current and extend lamp life.

This module is custom to Buster + Punch and works only with our Cross and Linear knurled dimmer knobs.

Note: rotary action is smooth and silent during operation.

FINISH & SKU NUMBERS

sku:	finish:	size:
CDM-012406	● black	1G

INCLUDED

1 x Dimmer Module (120W / 2 Way)
1 x Anti-Rotation Adapter

PLEASE NOTE

DISCLAIMER: Always consult a trade professional when installing this product. Buster + Punch is not responsible for the usage or feasibility of installation requirements. This product is not suitable for damp or wet environments.

CARE INSTRUCTIONS

Wipe with a dry lint free cloth with no loose hairs, avoid using any chemicals. Please note that finishes may age naturally with time and regular use.