

**DIMMER MODULE /  
120W LED / 2 WAY /  
PREMIUM**

---

**ACTION: DIMMER MODULE**

---

**KNURL: N/A**

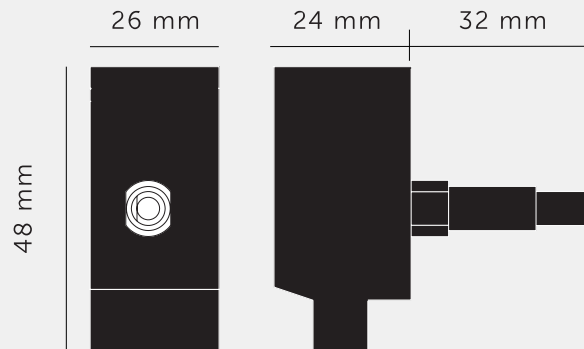
---

**RANGE: DIMMER MODULE**

---

A 2-Way 120W LED dimmer module, with a soft rotary action, for use with Buster + Punch 's custom switches. Compatible with B+P lighting products and a wide range of third party lighting products. Combine with a wall plate and detail kit in the finish and knurl of your choice to create a future-proof Buster + Punch dimmer – customised by you and engineered to perfection by us. See tech spec for more information and compatibility. If in doubt, always consult a licensed electrician.






---

#### SPECIFICATIONS

---

Style: Push On/Off Rotary Dimmer  
 Dimming Type: Trailing edge (native, default) and leading edge (simulated)  
 Input: 230-240 VAC 50Hz  
 Load: LED 5-120W / HAL/INC 60-400W  
 Intelligent soft-start  
 BS EN 60669-2-1  
 Certified for use in UK and Europe:  
 UKCA / CE

For use with standard 2-way and 3-way wiring accessories. Maximum one dimmer module per circuit.

Not compatible with retractable switches and Buster + Punch multipoint dimmers.

Not compatible with non-dimmable lamps & fixtures, compact fluorescent lamps (CFLs) or electric motors (e.g. fans).

Not compatible with native TRIAC (leading edge) dimmable drivers. Suitable for use with good quality ELV electronic drivers only. Certain transformers & drivers may not behave according to their power rating when used with a dimmer. In case of issues, change your driver(s), remove one or more driver from the circuit.

The dimmer switch incorporates a soft-start feature, which may result in a 1–2 second delay before full illumination to reduce inrush current and extend lamp life.

This module is custom to Buster + Punch and works only with our Cross and Linear knurled dimmer knobs.

Note: rotary action is smooth and silent during operation.

---

#### FINISH & SKU NUMBERS

---

sku:	finish:	size:
CDM-012406	● black	1G

---

#### INCLUDED

---

1 x Dimmer Module (120W / 2 Way)  
 1 x Anti-Rotation Adapter

---

#### PLEASE NOTE

---

DISCLAIMER: Always consult a trade professional when installing this product. Buster + Punch is not responsible for the usage or feasibility of installation requirements. This product is not suitable for damp or wet environments.

---

#### CARE INSTRUCTIONS

---

Wipe with a dry lint free cloth with no loose hairs, avoid using any chemicals. Please note that finishes may age naturally with time and regular use.