

**DETAIL KIT /
TOGGLE / CROSS**

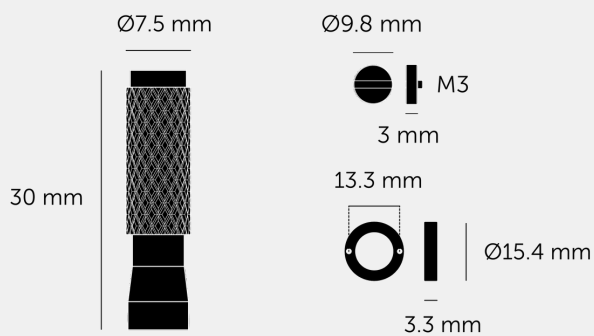
ACTION: DETAIL KIT

KNURL: CROSS

RANGE: DETAIL KIT

A toggle switch detail kit made from solid metal with our signature diamond-cut cross knurl. To be teamed up with our toggle modules and wall plates to complete your custom electricity product.





SPECIFICATIONS

INCLUDED

1 x Toggle Detail Kit

FINISH & SKU NUMBERS

finish	size
--------	------

PLEASE NOTE

DISCLAIMER: Always consult a trade professional when installing this product. Buster + Punch is not responsible for the usage or feasibility of installation requirements. This product is not suitable for damp or wet environments.

CARE INSTRUCTIONS

Wipe with a dry lint free cloth with no loose hairs, avoid using any chemicals. Please note that finishes may age naturally with time and regular use.