

**DETAIL KIT /
DIMMER / CROSS**

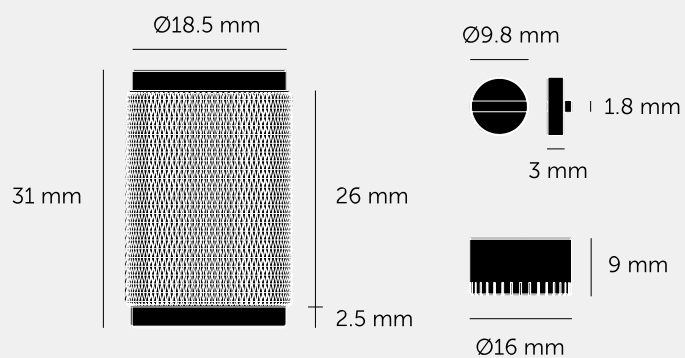
ACTION: DETAIL KIT

KNURL: CROSS

RANGE: DETAIL KIT

A dimmer switch detail kit made from solid metal. To be teamed up with our dimmer modules and wall plates to complete your custom electricity product.





SPECIFICATIONS

INCLUDED

1 x Dimmer Detail Kit

FINISH & SKU NUMBERS

sku	finish	size
ZDK-02635	● black	1G
ZDK-05636	● brass	1G
ZDK-09638	● smoked bronze	1G
ZDK-07637	● steel	1G
ZDK-134837	● warm sunset	1G

PLEASE NOTE

DISCLAIMER: Always consult a trade professional when installing this product. Buster + Punch is not responsible for the usage or feasibility of installation requirements. This product is not suitable for damp or wet environments.

CARE INSTRUCTIONS

Wipe with a dry lint free cloth with no loose hairs, avoid using any chemicals. Please note that finishes may age naturally with time and regular use.