

**2G GPO SOCKET /
USB A+C / WITHOUT
LOGO / CROSS**

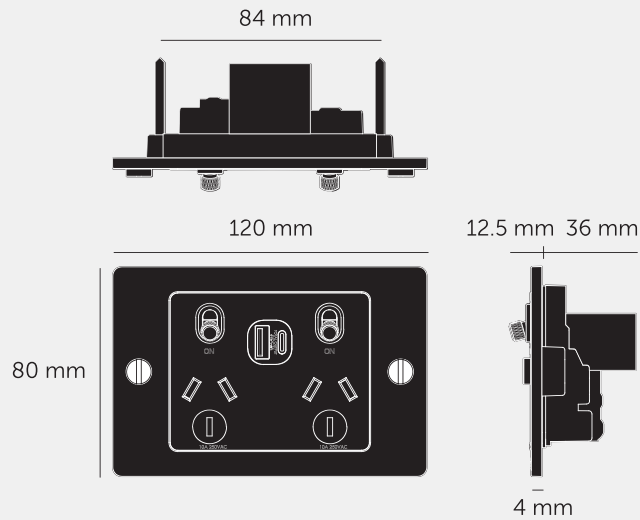
ACTION: POWER OUTLET

KNURL: CROSS

RANGE: GPO SOCKETS

A general purpose outlet with tactile diamond-cut, cross knurled toggle arms. The GPO includes 1 x USB A and 1 x USB C port, finished with a solid metal flat plate and our signature coin screws. Available in four different finishes, or customisable with a range detail kits to suit any interior. Can be used in combination with our matching dimmers and toggle switches. Comes complete in the box.





SPECIFICATIONS

Outlet: 2G GPO
 Socket Outlet Rating : 250VAC / 10A
 Maximum USB Type A: 5VDC / 2A
 Maximum USB Type C: 5VDC / 2A
 Backbox: Standard 84mm fixing centres. Allow depth of module + sufficient space for connections when choosing a backbox.
 Must be earthed.
 Compliant to Standards AS/NZS 3112:2017 Inc A1, AS/NZS 3100:2022
 Certificate No.: SAA-180906-EA
 This piece features a 3 mm shadow gap when installed.

FINISH & SKU NUMBERS

finish	size
--------	------

INCLUDED

1x GPO USB with GPO Details 2x Mounting Screws

PLEASE NOTE

DISCLAIMER: Always consult a trade professional when installing this product. Buster + Punch is not responsible for the usage or feasibility of installation requirements. This product is not suitable for damp or wet environments.

CARE INSTRUCTIONS

Wipe with a dry lint free cloth with no loose hairs, avoid using any chemicals. Please note that finishes may age naturally with time and regular use.