

**4G WALL PLATE /
TOGGLES ONLY**

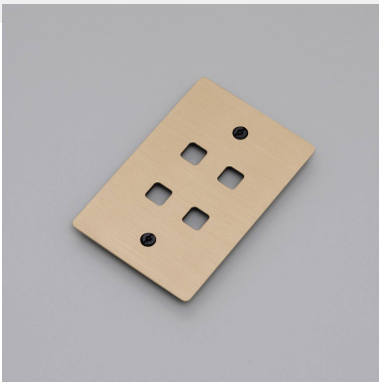
ACTION: ELECTRICITY WALL PLATE

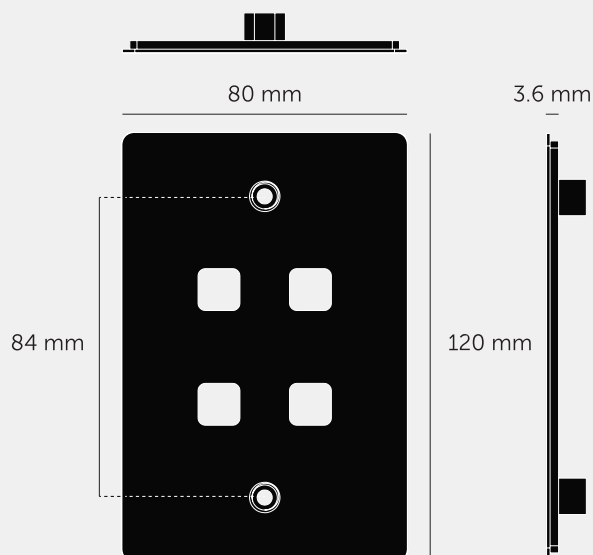
RANGE: WALL PLATES

A modular 4G wall plate made from solid metal. Pair with 4 x B+P SAA Certified toggle modules and finish with our signature knurled toggle detail kits. Can be installed in horizontal or vertical orientation. Check module compatibility. 84mm fixing centres.

HORIZONTAL INSTALL: 4 x 2-way toggle modules

VERTICAL INSTALL: 4 x 2-way toggle modules





SPECIFICATIONS

A modular 4G wall plate made from solid metal.
 Pair with 4 x B+P SAA Certified toggle modules and finish with our signature knurled toggle detail kits.
 Can be installed in horizontal or vertical orientation.
 Check module compatibility.
 84mm fixing centres.
 This piece features a 2.5mm shadow gap when installed.

HORIZONTAL ORIENTATION: 4 x B+P 2-way toggle modules
 (ZTM-023574 ONLY)

VERTICAL ORIENTATION: 4 x B+P 2-way toggle modules
 (ZTM-023574 ONLY)

FINISH & SKU NUMBERS

sku	finish	size
ZPL-023561	● black	4G
ZPL-053558	● brass	4G
ZPL-453560	● smoked bronze	4G
ZPL-093559	● steel	4G
ZPL-143566	● white	4G

INCLUDED

1x 4G Plate
 2x Mounting Screws
 2x Isolators

PLEASE NOTE

DISCLAIMER: Always consult a trade professional when installing this product. Buster + Punch is not responsible for the usage or feasibility of installation requirements. This product is not suitable for damp or wet environments.

CARE INSTRUCTIONS

Wipe with a dry lint free cloth with no loose hairs, avoid using any chemicals. Please note that finishes may age naturally with time and regular use.