

3G WALL PLATE / TOGGLES ONLY

ACTION: ELECTRICITY WALL PLATE

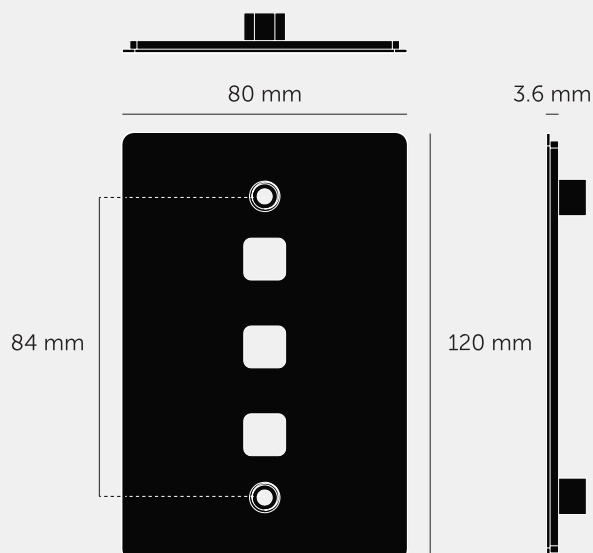
RANGE: WALL PLATES

A modular 3G wall plate made from solid metal. Pair with 3 x B+P SAA Certified toggle modules and finish with our signature knurled detail kits. Can be used in horizontal or vertical orientations. Check module compatibility. 84mm fixing centres

HORIZONTAL INSTALL: 3 x B+P 2-way toggle/ intermediate / retractive toggle modules

VERTICAL INSTALL: 3 x B+P 2-way toggle modules





SPECIFICATIONS

A modular 3G wall plate made from solid metal.
 Pair with 3 x B+P SAA Certified toggle modules and finish with our signature knurled detail kits.
 Can be used in horizontal or vertical orientations.
 Check module compatibility.
 84mm fixing centres.
 This piece features a 2.5mm shadow gap when installed.

HORIZONTAL ORIENTATION: 3 x B+P 2-way toggle/ intermediate / retractive toggle modules

VERTICAL ORIENTATION: 3 x B+P 2-way toggle modules (ZTM-023574 ONLY)

FINISH & SKU NUMBERS

sku	finish	size
ZPL-023557	● black	3G
ZPL-053554	● brass	3G
ZPL-453556	● smoked bronze	3G
ZPL-093555	● steel	3G
ZPL-143565	● white	3G

INCLUDED

1x 3G Plate
 2x Mounting Screws
 2x Isolators

PLEASE NOTE

DISCLAIMER: Always consult a trade professional when installing this product. Buster + Punch is not responsible for the usage or feasibility of installation requirements. This product is not suitable for damp or wet environments.

CARE INSTRUCTIONS

Wipe with a dry lint free cloth with no loose hairs, avoid using any chemicals. Please note that finishes may age naturally with time and regular use.