

**2G TOGGLE +
DIMMER / 2-WAY /
HORIZONTAL /**

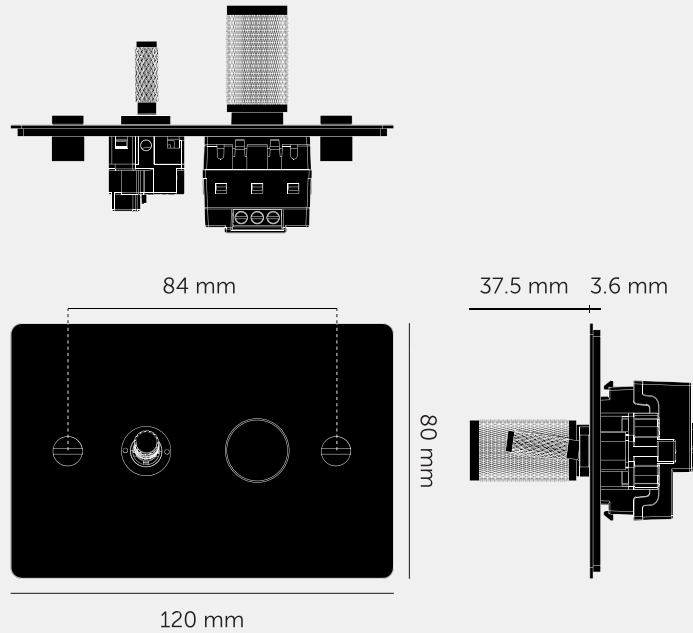
**ACTION: TOGGLE + DIMMER / 2-WAY
SWITCH**

KNURL: CROSS

**RANGE: TOGGLE + DIMMER / 2-WAY
SWITCH**

A 2G toggle (2-Way) + LED dimmer switch (100W) with diamond-cut cross knurled details to feel amazing with every touch. The switch includes our new dimmer module with improved performance. This modular switch is designed for horizontal installation, and the components will be delivered in separate boxes.





SPECIFICATIONS

Solid metal switch plate with one 2-way dimmer and one 2-way toggle, in our signature white, steel, brass, smoked bronze and black finishes.

DIMMER MODULE

Module: CDM-012405

Style: Push On / Off Rotary Dimmer

Switching: 2-Way

Input: 240VAC

Dimming Type: Trailing Edge

Load: 10-250W - Incandescent / 2-100W - LED

For Use In: Australia & New Zealand

Certification: SAA – AS/NZS 60669.2.1, AS/NZS 60669.1

For use with standard 2-way and 3-way wiring accessories. Maximum one dimmer module per circuit.

Not compatible with retractive switches and Buster + Punch multipoint dimmers.

Not compatible with non-dimmable lamps & fixtures, compact fluorescent lamps (CFLs) or electric motors (e.g. fans).

Not compatible with native TRIAC (leading edge) dimmable drivers.

Suitable for use with good quality ELV electronic drivers only. Certain transformers & drivers may not behave according to their power rating when used with a dimmer. In case of issues, change your driver(s), remove one or more driver from the circuit.

The dimmer switch incorporates a soft-start feature, which may result in a 1–2 second delay before full illumination to reduce inrush current and extend lamp life.

This module is custom to Buster + Punch and works only with our Cross and Linear knurled dimmer knobs.

Note: rotary action is smooth and silent during operation.

TOGGLE MODULE

Module: ZTM-023574

Style: On / Off Toggle Switch

Switching: 2-way (can be controlled from 2 locations)

Input: 250 VAC

Load: 10AX

AS 3133:2020, AS/NZS 3100:2022

Certified for use in Australia & New Zealand: SAA240105

For use with standard 1-way, 2-way and 3-way wiring accessories.

Compatible with smart home systems that accept standard switch inputs.

Not compatible with retractive switches and Buster + Punch multipoint dimmers.

Not suitable for motors, fans or any other type of large inductive load.

Make sure to consider the inrush current load on the circuit when specifying this module (10AX max.).

84mm fixing centres.

This piece features a 2.5mm shadow gap when installed.

INCLUDED

- 1 x 2G Wall Plate
- 1 x 2 Way Toggle Module
- 1 x Toggle Detail Kit
- 1 x 100W Dimmer Module
- 1 x Dimmer Detail Kit
- 1 x Plate Detail Kit

PLEASE NOTE

DISCLAIMER: Always consult a trade professional when installing this product. Buster + Punch is not responsible for the usage or feasibility of installation requirements. This product is not suitable for damp or wet environments.

CARE INSTRUCTIONS

Wipe with a dry lint free cloth with no loose hairs, avoid using any chemicals. Please note that finishes may age naturally with time and regular use.

FINISH & SKU NUMBERS

sku	finish	size
ZMK-024581	● black	2G
ZMK-054582	● brass	2G
ZMK-454583	● smoked bronze	2G
ZMK-074584	● steel	2G
ZMK-144585	● white	2G