

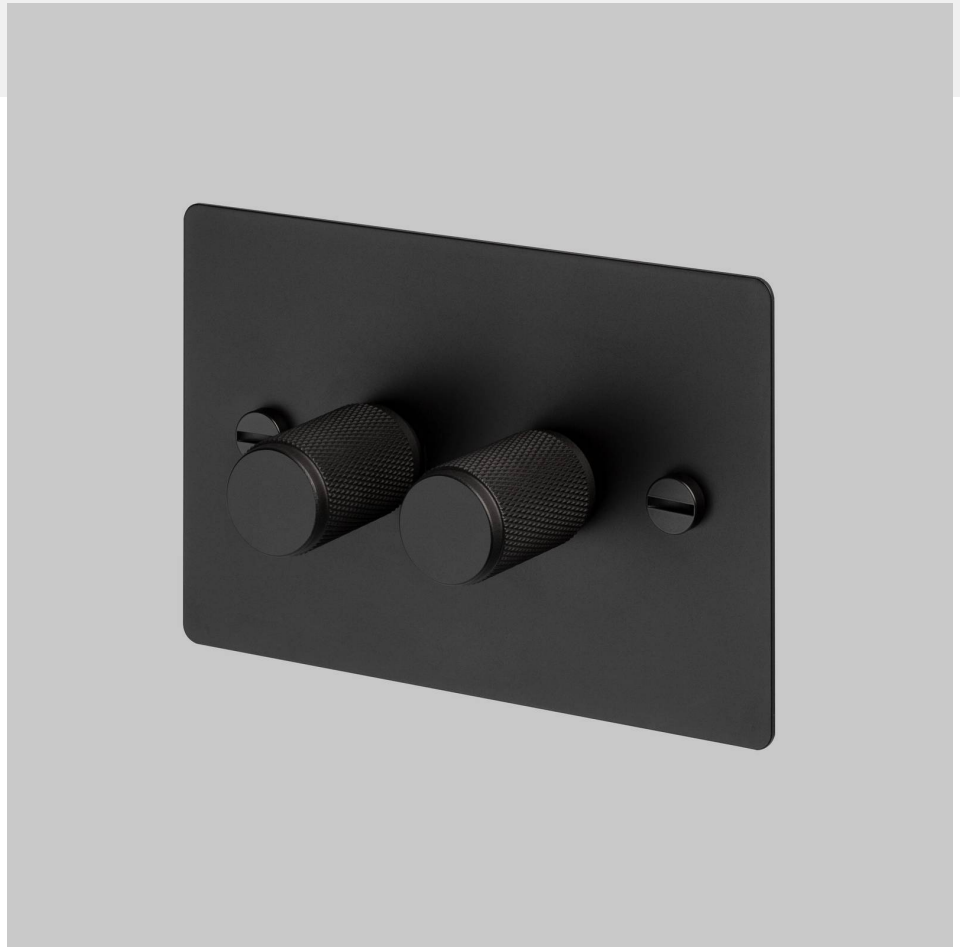
**2G DIMMER / 2-WAY
/ 100W /
HORIZONTAL /**

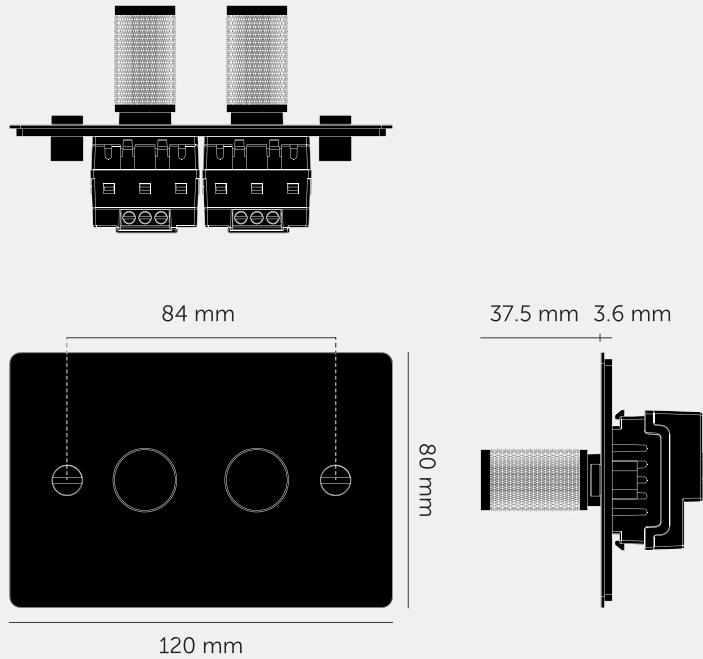
ACTION: DIMMER SWITCH

KNURL: CROSS

RANGE: DIMMER SWITCH

A 2G LED dimmer switch (100W) with a diamond-cut cross knurled knob to feel amazing with every touch. The switch includes our new dimmer module with improved performance. This modular dimmer switch is designed for horizontal installation, and the components will be delivered in separate boxes.





SPECIFICATIONS

Solid metal switch plate with two 2-way dimmers, in our signature white, steel, brass, smoked bronze and black finishes.

Module: CDM-012405

Style: Push On / Off Rotary Dimmer

Switching: 2-Way

Input: 240VAC

Dimming Type: Trailing Edge

Load: 10-250W - Incandescent / 2-100W - LED

For Use In: Australia & New Zealand

Certification: SAA – AS/NZS 60669.2.1, AS/NZS 60669.1

For use with standard 2-way and 3-way wiring accessories. Maximum one dimmer module per circuit.

Not compatible with retractive switches and Buster + Punch multipoint dimmers.

Not compatible with non-dimmable lamps & fixtures, compact fluorescent lamps (CFLs) or electric motors (e.g. fans).

Not compatible with native TRIAC (leading edge) dimmable drivers.

Suitable for use with good quality ELV electronic drivers only. Certain transformers & drivers may not behave according to their power rating when used with a dimmer. In case of issues, change your driver(s), remove one or more driver from the circuit.

The dimmer switch incorporates a soft-start feature, which may result in a 1–2 second delay before full illumination to reduce inrush current and extend lamp life.

This module is custom to Buster + Punch and works only with our Cross and Linear knurled dimmer knobs.

Note: rotary action is smooth and silent during operation.

84mm fixing centres.

This piece features a 2.5mm shadow gap when installed.

INCLUDED

- 1 x 2G Wall Plate
- 2 x 100W Dimmer Modules
- 2 x Dimmer Detail Kits (with Plate Details)

PLEASE NOTE

DISCLAIMER: Always consult a trade professional when installing this product. Buster + Punch is not responsible for the usage or feasibility of installation requirements. This product is not suitable for damp or wet environments.

CARE INSTRUCTIONS

Wipe with a dry lint free cloth with no loose hairs, avoid using any chemicals. Please note that finishes may age naturally with time and regular use.

FINISH & SKU NUMBERS

sku	finish	size
ZDR-024591	● black	2G
ZDR-054592	● brass	2G
ZDR-454593	● smoked bronze	2G
ZDR-074594	● steel	2G
ZDR-144595	● white	2G