

## **1G WALL PLATE / DIMMER OR TOGGLE**

---

**ACTION: ELECTRICITY WALL PLATE**

---

**RANGE: WALL PLATES**

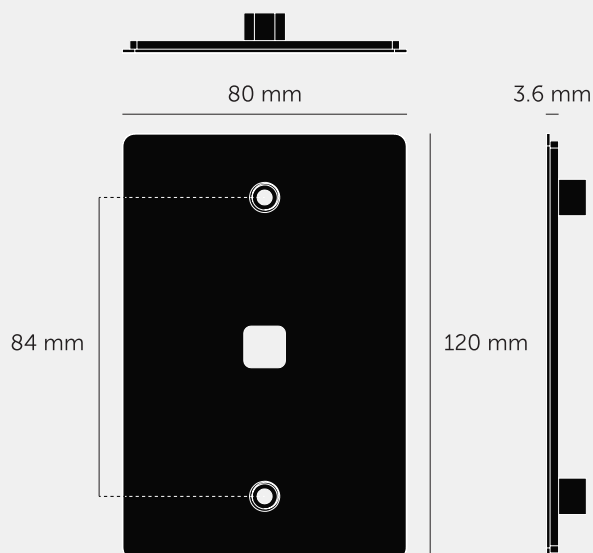
---

A modular 1G wall plate made from solid metal. Pair with 1 x B+P SAA certified dimmer or toggle module, and finish with our signature knurled detail kits. Can be used in horizontal or vertical orientation. Check module compatibility. 84mm fixing centres.

HORIZONTAL INSTALL: 1 x B+P toggle or dimmer module

VERTICAL INSTALL: 1 x B+P toggle or dimmer module





#### SPECIFICATIONS

A modular 1G wall plate made from solid metal.  
 Pair with 1 x B+P SAA certified dimmer or toggle module, and finish with our signature knurled detail kits.  
 Can be used in horizontal or vertical orientation.  
 Compatible with all B+P toggle and dimmer modules in this range.  
 84mm fixing centres.  
 This piece features a 2.5mm shadow gap when installed.

HORIZONTAL INSTALL: 1 x B+P toggle or dimmer module  
 VERTICAL INSTALL: 1 x B+P toggle or dimmer module

#### INCLUDED

1x 1G Plate  
 2x Mounting Screws  
 2x Isolators

#### PLEASE NOTE

DISCLAIMER: Always consult a trade professional when installing this product. Buster + Punch is not responsible for the usage or feasibility of installation requirements. This product is not suitable for damp or wet environments.

#### FINISH & SKU NUMBERS

sku	finish	size
ZPL-023545	● black	1G
ZPL-053542	● brass	1G
ZPL-453544	● smoked bronze	1G
ZPL-093543	● steel	1G
ZPL-143562	● white	1G

#### CARE INSTRUCTIONS

Wipe with a dry lint free cloth with no loose hairs, avoid using any chemicals. Please note that finishes may age naturally with time and regular use.