

**1G TOGGLE /  
HORIZONTAL / 2-  
WAY / CROSS**

---

**ACTION: TOGGLE SWITCH**

---

**KNURL: CROSS**

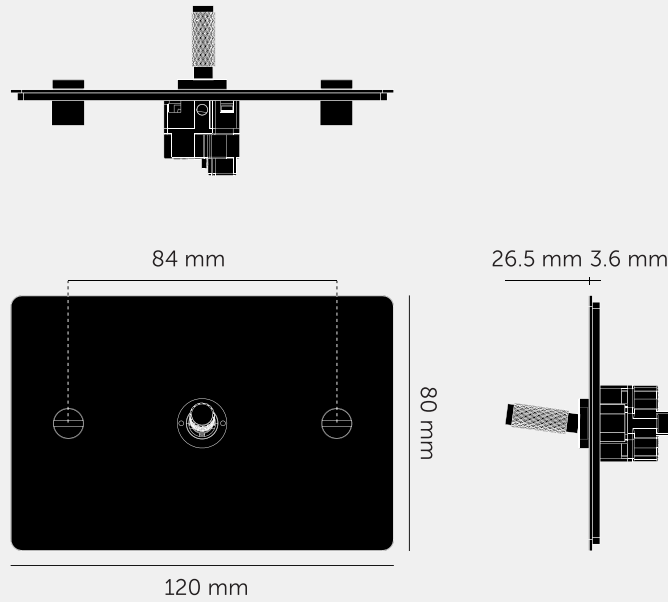
---

**RANGE: TOGGLE SWITCH**

---

A 1G (2-Way) Toggle Switch made from solid metal, featuring our signature diamond-cut, cross knurled toggle arm and plate details. This modular switch is designed for horizontal installation, and the components will be delivered in separate boxes.





#### SPECIFICATIONS

Solid metal switch plate with 1 toggle, in our signature white, steel, brass, smoked bronze and black finishes.

Module: ZTM-023574

Style: On / Off Toggle Switch

Switching: 2-way (can be controlled from 2 locations)

Input: 250 VAC

Load: 10AX

AS 3133:2020, AZ/NZS 3100:2022

Certified for use in Australia & New Zealand: SAA240105

For use with standard 1-way, 2-way and 3-way wiring accessories. Compatible with smart home systems that accept standard switch inputs. Not compatible with retractive switches and Buster + Punch multipoint dimmers.

Not suitable for motors, fans or any other type of large inductive load.

Make sure to consider the inrush current load on the circuit when specifying this module (10AX max.).

84mm fixing centres.

This piece features a 2.5mm shadow gap when installed.

#### INCLUDED

1x 1G Wall Plate

1 x 2 Way Toggle Module

1 x Toggle Detail Kit (with plate details)

#### PLEASE NOTE

DISCLAIMER: Always consult a trade professional when installing this product. Buster + Punch is not responsible for the usage or feasibility of installation requirements. This product is not suitable for damp or wet environments.

#### FINISH & SKU NUMBERS

sku	finish	size
ZTG-024511	● black	1G
ZTG-054512	● brass	1G
ZTG-454513	● smoked bronze	1G
ZTG-074514	● steel	1G
ZTG-144515	● white	1G
ZTG-134862	black / warm sunset	1G

#### CARE INSTRUCTIONS

Wipe with a dry lint free cloth with no loose hairs, avoid using any chemicals. Please note that finishes may age naturally with time and regular use.