

**1G DIMMER /
MULTIPOINT / 250W
/ HORIZONTAL /**

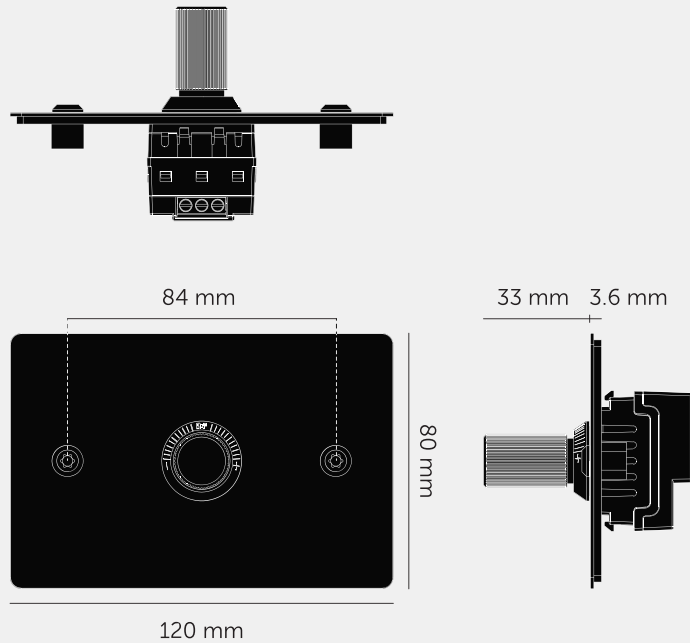
ACTION: DIMMER SWITCH

KNURL: LINEAR

RANGE: DIMMER SWITCH

A 1G LED dimmer switch (250W Retractive) made from solid metal, featuring our diamond-cut, linear knurl toggle arm and torx cap details. The dimmer comes with our new dimmer module which can only be used in conjunction with our retractive toggle module. This modular dimmer switch is designed for horizontal installation, and the components will be delivered in separate boxes.





SPECIFICATIONS

Solid metal switch plate with one multipoint dimmer, in our signature white, steel, brass, smoked bronze and black finishes.

Module: CDM-142038

Style: Push On / Off Rotary Dimmer

Switching: Multi-location dimming using retractive switches

Input: 240VAC

Dimming Type: Auto-detect trailing edge and leading edge (with manual override)

Load: 10-350W - Incandescent / 3-250W - LED

For Use In: Australia & New Zealand

Certification: SAA

For use with retractive switches on retractive dimming circuits, to control dimming from multiple locations.

Not compatible with standard wiring and standard 1-way, 2-way and 3-way wiring accessories.

Not suitable for motors, fans or any other type of large inductive load.

The dimmer switch incorporates a soft-start feature, which may result in a 1-2 second delay before full illumination to reduce inrush current and extend lamp life.

This module is custom to Buster + Punch and works only with our Cross and Linear knurled dimmer knobs.

note: rotary action includes a soft, audible ticking feedback during adjustment.

84mm fixing centres.

This piece features a 2.5mm shadow gap when installed.

INCLUDED

- 1 x 1G Wall Plate
- 1 x 250W Dimmer Module (Retractive Switch Compatible)
- 1 x Dimmer Detail Kit
- 1 x Plate Detail Kit

PLEASE NOTE

DISCLAIMER: Always consult a trade professional when installing this product. Buster + Punch is not responsible for the usage or feasibility of installation requirements. This product is not suitable for damp or wet environments.

CARE INSTRUCTIONS

Wipe with a dry lint free cloth with no loose hairs, avoid using any chemicals. Please note that finishes may age naturally with time and regular use.

FINISH & SKU NUMBERS

sku	finish	size
ZDR-024556	● black	1G
ZDR-054557	● brass	1G
ZDR-454558	● smoked bronze	1G
ZDR-074559	● steel	1G
ZDR-144560	● white	1G