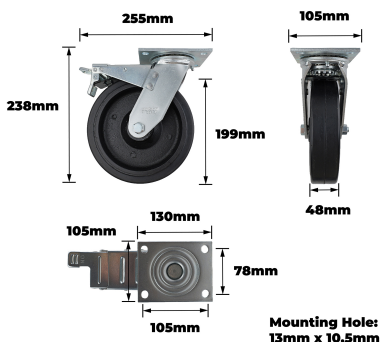


Easyroll 200mm Black Rubber Swivel Plate Brake TS Series Castor 535kg



Description

Easyroll 200mm Black Rubber Swivel Plate Brake TS Series Castor 535kg is engineered for trade and technical professionals, incorporating a robust cast iron wheel core, precision bearing and a high-quality rubber wheel. Its steel housing and bearing materials ensure reliable performance, while the plate mount design and bolt hole swivel facilitate effective manoeuvrability across varied applications. The unit is suitable for both indoor and outdoor use, offering practical movement solutions without unnecessary adornment.

Features

- Cast iron wheel core for lasting structure
- Rubber wheel provides quiet, smooth handling
- Steel housing and bearings ensure robust construction
- Precision bearings deliver smooth, accurate manoeuvring
- Elegant black, silver and red finish enhances appearance
- Bolt hole swivel attachment simplifies plate mount installation
- Single raceway ensures reliable rotation control
- Fitted plate mount allows secure, straightforward positioning

Product Code: TSG200RU15L

Specifications

Outdoor Use	Yes
Indoor Use	Yes
Bearing Type	Precision Bearing
Raceway Type	Single
Attachments	Bolt Hole Swivel

Appearance

Product Colour	Black/Silver/Red
----------------	------------------

Construction

Wheel Core Material	Cast Iron
Wheel Material	Rubber
Housing Material	Steel
Bearing Material	Steel

Weights

Product Weight (grams)	6188
Product Weight (kg)	6.188
Load Capacity kg	535.0

Dimensions

Product Length mm	255
Product Width mm	105
Product Height mm	238
Wheel Diameter	199
Tread Width mm	48
Swivel Radius mm	190
Mounting Hole Dimensions mm	13x10.5
Hole Centre Dimensions mm	105x78
Plate Dimensions mm	130x105

NSW/ACT Chris Caruana 0431 151 883 chris.c@ehi.com VIC/TAS/SA Trent Rapp 0412 444 133 trent.p@ehi.com.au
 QLD Stephen Duncan 0458 203 917 stephen.d@ehi.com.au WA Greg Martin 0417 959 925 greg.m@ehi.com.au