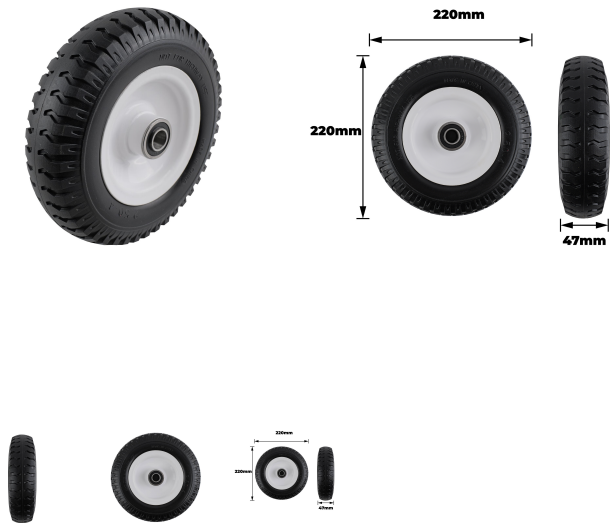


# Easyroll 3.50x4" Flat Free Wheel 5/8" Bearing 125kg



## Description

Easyroll 3.50x4" Pneumatic Flat Free Wheel 5/8" Bearing 125kg is engineered with a steel core and hub, paired with pneumatic wheel material and ball bearing components for reliable performance. Its black and white finish meets the demands of professional trade applications, offering consistent movement both indoors and outdoors. The design provides practical load support and smooth operation in various material handling tasks, making it a valuable choice for professionals seeking dependable performance.

## Features

- Robust steel wheel core ensures optimal performance
- Pneumatic design offers flat free wheel operation
- Steel ball bearing enables smooth and precise rotation
- Suitable for both indoor and outdoor use
- Easyroll brand signifies durable construction
- Black and white design enhances visual contrast
- Durable construction reduces maintenance requirements
- Pneumatic wheel withstands impacts and uneven surfaces

**Product Code: SPW2.50-**

## Specifications

Bearing Type	Ball Bearing
Outdoor Use	Yes
Indoor Use	Yes
Hardware Included	No

## Weights

Load Capacity kg	125.0
------------------	-------

## Appearance

Product Colour	Black/White
----------------	-------------

## Construction

Wheel Core Material	Steel
Wheel Material	Pneumatic
Bearing Material	Steel
Hub Material	Steel

## Dimensions

Tread Width	47
Axle Bore ID (F)	16
Wheel Width (C)	58
Wheel Diameter (A)	220

## Weights

Product Weight (grams)	1186
Product Weight (kg)	1.186

NSW/ACT Chris Caruana 0431 151 883 chris.c@ehi.com VIC/TAS/SA Trent Rapp 0412 444 133 trent.p@ehi.com.au  
QLD Stephen Duncan 0458 203 917 stephen.d@ehi.com.au WA Greg Martin 0417 959 925 greg.m@ehi.com.au

[www.ehi.com.au](http://www.ehi.com.au)

For all enquiries please contact our customer service team  
on 1300 727 535 or at [cs@ehi.com.au](mailto:cs@ehi.com.au)

POWERED BY  
**EHI**  
AUSTRALIA