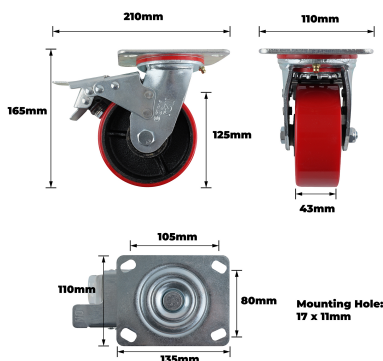
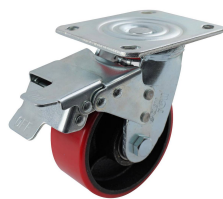


Easyroll 125mm Urethane Cast Iron Swivel Plate Brake J3 Series Castor 410kg



Description

Easyroll 125mm Urethane Cast Iron Swivel Plate Brake J3 Series Castor 410kg is designed for precise motion control and efficient load manoeuvring. It features a steel wheel core with polyurethane wheels and steel housing, ensuring durability and smooth rotation. The ball bearing system and plate swivel attachment contribute to consistent movement, making it valuable for professionals managing heavy loads in commercial and trade settings. Its robust construction supports both outdoor and indoor applications effectively.

Features

- Reinforced polyurethane wheel with cast iron integration ensures durability
- Steel housing and wheel core provide robust structural support
- Plate mount design facilitates secure attachment to work surfaces
- Precision engineered ball bearing system reduces friction and wear
- Adaptable for indoor and outdoor use
- Easyroll brand ensures proven quality and dependable performance
- Single raceway design delivers smooth swivel for efficient manoeuvring
- Red, black and silver colour options enhance product visibility

Product Code: J32TZ85K125

Specifications

Outdoor Use	Yes
Indoor Use	Yes
Bearing Type	Ball Bearing
Raceway Type	Single
Attachments	Plate Swivel

Appearance

Product Colour	Red/Black/Silver
----------------	------------------

Construction

Wheel Core Material	Steel
Wheel Material	Polyurethane
Housing Material	Steel
Bearing Material	Steel

Weights

Product Weight (grams)	3420
Product Weight (kg)	3.42
Load Capacity kg	410.0

Dimensions

Product Length mm	210
Product Width mm	110
Product Height mm	165
Wheel Diameter	125
Tread Width mm	43
Swivel Radius mm	142.5
Mounting Hole Dimensions mm	17x11
Hole Centre Dimensions mm	105x80
Plate Dimensions mm	135x110

NSW/ACT Chris Caruana 0431 151 883 chris.c@ehi.com VIC/TAS/SA Trent Rapp 0412 444 133 trent.p@ehi.com.au
 QLD Stephen Duncan 0458 203 917 stephen.d@ehi.com.au WA Greg Martin 0417 959 925 greg.m@ehi.com.au