

Easyroll 125mm Red Urethane Swivel Plate Brake J3 Series Castor 340kg



Description

Easyroll 125mm Red Urethane Swivel Plate Brake J3 Series Castor 340kg is a precision-engineered castor designed for efficient load transport in various trade applications. It features a 125mm polyurethane wheel with a polypropylene core, durable steel housing and carbon steel ball bearings, ensuring smooth movement and reliable braking performance. The plate mount design and integrated swivel assembly provide secure installation while offering dependable manoeuvrability and cost-effective performance for professional use.

Features

- Durable steel housing and robust ball bearing construction
- Polyurethane wheels with polypropylene core for smooth movement
- True plate swivel attachment for straightforward plate mounting
- Castor engineered for a 340kg load capacity
- Applicable for both indoor and outdoor operations
- Ball bearing raceway design for improved manoeuvrability
- Dual-material wheel composition enhances durability in varied conditions
- Smooth rolling plate mount facilitates precise positioning and manoeuvrability

Product Code: J32TZ84K125

Specifications

Outdoor Use	Yes
Indoor Use	Yes
Bearing Type	Ball Bearing
Raceway Type	Single
Attachments	Plate Swivel

Appearance

Product Colour	Red/Black/Silver
----------------	------------------

Construction

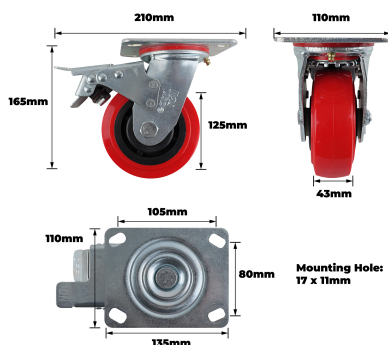
Wheel Core Material	Polypropylene
Wheel Material	Polyurethane
Housing Material	Steel
Bearing Material	Carbon Steel

Weights

Product Weight (grams)	2670
Product Weight (kg)	2.67
Load Capacity kg	340.0

Dimensions

Product Length mm	210
Product Width mm	110
Product Height mm	165
Wheel Diameter	125
Tread Width mm	43
Swivel Radius mm	142.5
Mounting Hole Dimensions mm	17x11
Hole Centre Dimensions mm	105x80
Plate Dimensions mm	135x110



NSW/ACT Chris Caruana 0431 151 883 chris.c@ehi.com VIC/TAS/SA Trent Rapp 0412 444 133 trent.p@ehi.com.au
 QLD Stephen Duncan 0458 203 917 stephen.d@ehi.com.au WA Greg Martin 0417 959 925 greg.m@ehi.com.au

www.ehi.com.au

For all enquiries please contact our customer service team on 1300 727 535 or at cs@ehi.com.au

